

CONTENTS



E-Z KLEEN Polymer and Stainless Steel Housed Ball & Sleeve Bearings

Features / Benefits	B1-2
How to Order / Nomenclature	B1-4
Easy Selection	B1-5
Dimensions	
Pillow Blocks	B1-14
Tapped Base Pillow Blocks	B1-30
2 Bolt Flange Bearings	B1-38
Flanged Bracketed Bearings	B1-54
3 Bolt Flange Brackets	B1-58
4 Bolt Flange Bearings	B1-60
Wide Slot Take-Up Bearings	B1-74
Inserts	B1-80
Interchange	B1-88
Accessories	B1-90
Part Number Index	INDEX-1
Key Word Index	INDEX-34

Bearing Quick Reference

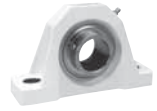
E-Z KLEEN

GRIP TIGHT Adapter Ball Bearing

Set Screw Ball Bearing

Eccentric Collar Ball Bearing

FEATURES/BENEFITS



Polymer and Stainless Steel Housed Mounted Bearings

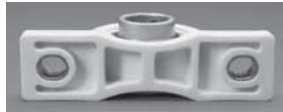
Our goal at DODGE is to create the world's most successful customer. We do that by listening and responding to our customers' needs. Customers in the food and beverage processing industry told us they needed new and improved products that help make their industry safer - products that help in the fight against contamination from bacteria such as E. coli, salmonella, and staphylococcus aureus.

DODGE delivered by expanding our high performance E-Z KLEEN line with this new, improved generation of E-Z KLEEN engineered polymer housed ball and sleeve bearings and stainless steel housed ball bearings.



New DODGE E-Z KLEEN with solid-based housing

Competitive bearing with cavities and fillings that can trap bacteria



RUGGED, SOLID-BASE HOUSING

- Manufactured with no cavities and no fillings -no traps for bacteria
- Features anti-microbial polymer that helps prevent bacterial and fungal growth (polymer housing)
- Housing strength exceeds static capacity of bearing
- Designed with stainless steel lube fittings and stainless steel ferrules in bolt holes (polymer housed)
- 316 Series stainless steel housing also available
- For no relube (NL) remove the lube fitting and install the polymer plug that is shipped with each bearing
- Retains dimensional stability in harsh environments
- No flaking or peeling, even after repeated washdowns
- Provides excellent chemical resistance
- Available with open enclosed end closures
- FDA/USDA compliant

CORROSION-RESISTANT BALL BEARING INSERTS

- Corrosion resistant PROGUARD™ Plus seal with stainless steel flingers
- Corrosion-resistant inner and outer ring
- Stainless steel balls and lube fitting
- Stainless steel setscrews (SC) and stainless steel capscrew (DLOK)
- FDA/USA approved synthetic lubricant
- Relubricable
- Anti-rotation pin
- Reinforced, stabilized nylon cage
- Offered in inch and metric sizes
- Temperature range -20° to +225° F

THREE SHAFT LOCKING SYSTEMS FROM STOCK

- SC - Two stainless-steel setscrews set 65 apart
- D-LOK - Corrosion resistant concentric collar
- GT-GRIP TIGHT

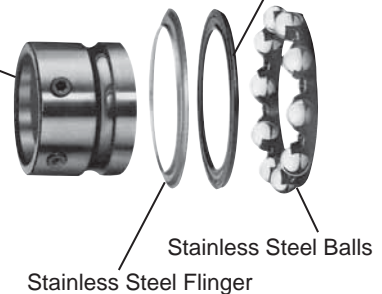
POPULAR HOUSING STYLES

- | | |
|--------------------------------|--------------------------------|
| Polymer | Stainless Steel |
| • Pillow blocks | • Pillow Block |
| • Tapped-base pillow blocks | • 2 and 4 bolt flange bearings |
| • 2 and 4 bolt flange bearings | |
| • Flange brackets | |
| • Wide slot take-up bearings | |

Corrosion Resistant Inner And Outer Ring Out Performs Other 400 Series Stainless Steel Precision Hardened And Honed Inner And Outer Rings

65° Stainless Setscrews Locking

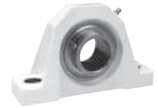
Corrosion Resistant PROGUARD Plus Seal



RESULTS OF HOUSING ANTI-MICROBIAL ACTIVITY AGAINST TEST ORGANISMS

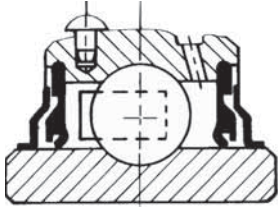
TEST ORGANISM	TYPE OF ORGANISM	GROWTH-FREE ZONE (MM)	CONTACT INHIBITION (%)
Staphylococcus aureus	Bacterial	0	100
Aspergillus niger	Fungal	0	100

FEATURES/BENEFITS



Polymer and Stainless Steel Housed Mounted Bearings

DODGE
PROGUARD™ PLUS SEAL



Corrosion resistant PROGUARD Plus seal with flingers - a combination contact land-riding seal and labyrinth - keeps lubricants in, contaminants out.



D-LOK DL

PRECISION-HARDENED AND HONED INNER AND OUTER RINGS

Precision-hardened and honed inner and outer rings for wear resistance, quieter operation, and longer life.

ANTI-ROTATION PIN

Anti-rotation pin prevents rotation of the insert within the housing.

Simple and effective, it makes inserts easier to replace.

Stainless Steel Anti-Rotation Pin



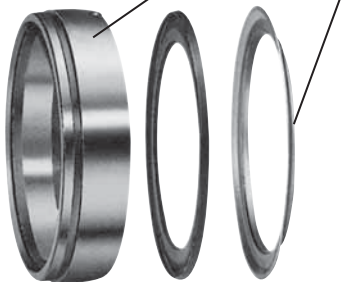
POLYMER SLEEVE

E-Z KLEEN POLYMER HOUSED BEARING WITH POLYMER SLEEVE INSERT



- Targeted for wet, cool and coldside environments/ applications
- Self-lubricating polymer sleeve insert
- All polymer and stainless-steel construction
- Features stainless-steel antirotation pin on sphere of insert
- Resist fungus and bacterial growth
- Ensures quiet operation
- Conforms to FDA/USDA specifications
- Offered in both inch and meter sizes

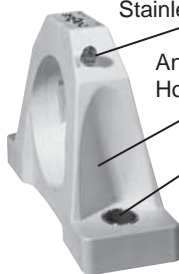
Anti-Rotation Pin Stainless Steel Flinger



Stainless Steel Lube Fitting

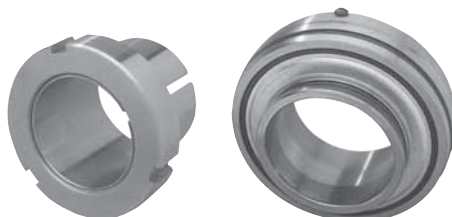
Antimicrobial Polymer Housing

Stainless Steel Bolt Furrule



CORROSION RESISTANT PROGUARD PLUS SEAL

STAINLESS HOUSING

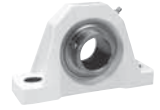


GRIP-TIGHT LOCKING SYSTEM

Full Contact on shaft for better grip, less vibration.

Setscrew locking can distort the inner ring and cause system-induced vibration. But with the DODGE GRIP-TIGHT Adapter, the adapter attaches itself to the shaft for full concentric contact - 360° through the length of the bearing.

HOW TO ORDER/ NOMENCLATURE



E-Z KLEEN Polymer and Stainless Steel Housed Mounted Bearings

HOW TO ORDER

There are two ways to specify DODGE polymer-housed ball bearings. Most of the product offerings have part numbers with listings shown throughout this brochure. Use of part numbers ensures accurate order processing.

When part numbers are not shown, the product may be specified by description or part name. This method is used when ordering units that include modifications or options. To order by description for options not covered by the nomenclature.

NOMENCLATURE

P2B - SCHUEZ - 104S = PCR

Modification Or Feature:

- CR = Corrosion resistant insert
- LL = Low torque labyrinth seal
- MOD = Modified
- NL = No Lube (sealed for life)
- P = Polymer housing
- SH = Stainless Steel Housing

Shaft Size

Inches:

First digit = Number of inches

Second & third digits = Number of sixteenths of an inch

104 = Indicates 1-4/16 or 1-1/4

S = Next smaller ring size. E.g. 1-1/4 206 would be written as 104S

L = Next larger ring size. E.g. 1/2 204 would be written as 008L

Metric:

First two digits = number of millimeters

M = Metric

Bearing Type:

SC = Wide inner ring, normal duty, 65° setscrew locking

DL = Wide inner ring, normal duty, concentric clamp collar

GT = Wide inner ring, normal duty, thin wall adapter locking

PS = Polymer Sleeve Insert

Suffixes to the above:

EZ = EZ-KLEEN (used with polymer or stainless steel housed units)

BEZ = Low backing height pillow block, EZ-KLEEN

UEZ = higher back pillow block, EZ-KLEEN (for interchangeability with competitive pillow blocks)

Housing:

F2B = 2 bolt flange

F4B = 4 bolt flange

FB = Flanged bracket

INS = Insert

P2B = Pillow block, 2 bolt base

TB = Tapped base pillow block

WSTU = Wide slot take-up

Bearing Quick Reference

E-Z KLEEN

GRIP TIGHT Adapter Ball Bearing

Set Screw Ball Bearing

Eccentric Collar Ball Bearing

FEATURES/BENEFITS PAGE B1-2	SELECTION/DIMENSIONS PAGE B1-14	INTERCHANGE PAGE B1-88	ACCESSORIES PAGE B1-90
--------------------------------	------------------------------------	---------------------------	---------------------------

EASY SELECTION



Selection of DODGE E-Z KLEEN Polymer and Stainless Steel Housed Ball Bearings

DODGE E-Z KLEEN ball bearings are primarily designed for radial loading. However, they have the capacity to carry thrust loads and combined radial/thrust loads. The maximum recommended load which can be applied is limited by various components in the system, such as bearing, housing, shaft attachments, speed and life requirements as listed in this catalog and the instruction manual that accompanies each bearing. DODGE E-Z KLEEN ball bearings have been applied successfully when these limits have been exceeded under controlled operating conditions. Contact DODGE Engineering, 864-281-2195, for applications which exceed these recommendations.

Select a bearing from the Selection table that has a radial load rating at the operating speed equal to or greater than the calculated Equivalent Radial Load for a desired L_{10} life. (Table 2 for English shaft sizes and Table 3 for metric shaft sizes) This simple method is all that is required for the majority of general applications and provides for occasional average shock loads.

L10 Hours Life-is the life which may be expected for at least 90% of a given group of bearings operating under identical conditions.

Heavy Service-For heavy shock loads, frequent shock loads or severe vibrations, add up to 50% (according to severity of conditions) to the Equivalent Radial Load to obtain a Modified Equivalent Radial Load. Consult Application Engineering for additional selection assistance.

A maximum thrust load value of C/10 is recommended as a guide for general applications and will give adequate L_{10} life. If the thrust load exceeds this limit, it is advisable to use auxiliary thrust carrying devices, such as a shaft shoulder, snap ring, or a thrust collar. Where substantial radial load pulls the housing away from the mounting base, both the hold-down bolts and housing must be of adequate strength. Auxiliary load carrying devices, such as shear bars, are advisable for side or end-loading of pillow blocks and radial loads for flange units.

To determine the L_{10} hours life for loads and RPM's not listed use the following equation:

$$L_{10} = \left(\frac{C}{P}\right)^3 \times \frac{16667}{\text{RPM}}$$

Where:

L_{10} = Life, hours

C = Dynamic Capacity, lbs. or N

P = Equivalent Radial Load, lbs. or N

RPM = Revolution per minute

When the load on a ball bearing is solely a radial load with no thrust (axial) load, the Equivalent Radial Load (P) is equal to the actual radial load. However, when a thrust (axial) load is applied, the radial and thrust loads applied must be converted into an Equivalent Radial Load. The use of the X (radial factor) and Y (thrust factor) from Table 1 convert the actual applied thrust and radial loads to an Equivalent Radial Load which has the same effect on the life of a bearing as a radial load of this magnitude.

$$P = (X \times F_R) + (Y \times F_A)$$

Where:

P = Equivalent Radial Load, lbs.

F_R = Radial load, lbs.

F_A = Thrust load, lbs.

e = Thrust load to radial load factor (Table 1)

X = Radial load factor (Table 1)

Y = Thrust Factor (Table 1)

C_0 = Basic static capacity (Table 2 or 3)

To find X and Y, first calculate F_A/C_0 to determine e. Calculate F_A/F_R and compare to e to determine the X and Y factors to use from Table 1.

Substitute all known values into the Equivalent Radial Load equation. The Equivalent Radial loads (P) thus determined can be used in the L_{10} life formula or compared to the allowable Equivalent Radial Load rating desired in the expanded rating chart to select a bearing (Table 2).

If calculated value of P is less than F_R , use $P=F_R$.

Table 1

$F_A C_0$	e	Radial/Thrust Factors			
		If F_A/F_R is equal to or less than e		If F_A/F_R is greater than e	
		$F_A/F_R \leq e$		$F_A/F_R > e$	
		X	Y	X	Y
.014	.19	1	0	0.56	2.30
.021	.21	1	0	0.56	2.15
.028	.22	1	0	0.56	1.99
.042	.24	1	0	0.56	1.85
.056	.26	1	0	0.56	1.71
.070	.27	1	0	0.56	1.63
.084	.28	1	0	0.56	1.55
.110	.30	1	0	0.56	1.45
.170	.34	1	0	0.56	1.31
.280	.38	1	0	0.56	1.15
.420	.42	1	0	0.56	1.04
.560	.44	1	0	0.56	1.00

Lubrication- DODGE Ball Bearings are lubricated at the factory and are ready to run. The bearings are initially lubricated with an aluminum complex based, H1 Food Grade grease and should be relubricated with the same or some equivalent. For high speeds, high loads, extreme temperatures and other abnormal operating conditions, special greases may be required. Contact DODGE Application Engineering for recommendations on these types of applications.

Misalignment - DODGE Ball Bearings are designed to allow a maximum of 2° static misalignment. These bearings are not suitable for dynamic misalignment. To ensure good alignment, mounting surfaces must be checked for flatness and must lie in the same plane. When tightening base bolts, each bolt should be alternately tightening in incremental torque values until full torque is achieved to prevent the angular shifting of the pillow block that occurs when one bolt is tightened to its full torque. Shimming may be required to minimize misalignment.

Shaft Tolerances		
Normal Shaft Size Inches	Recommended Shaft Tolerances SC & D-LOK Products (Inches)	Recommended Shaft Tolerances GRIP TIGHT Ball Bearings Inches
Up to 1-1/2"	+0.000 - .0005	+0.000 -0.002
Over 1-1/2 to 2"	+0.000 -.0010	+0.000 -.0.003

FEATURES/BENEFITS PAGE B1-2	DIMENSIONS PAGE B1-14	INTERCHANGE PAGE B1-88	ACCESSORIES PAGE B1-90
--------------------------------	--------------------------	---------------------------	---------------------------

EASY SELECTION

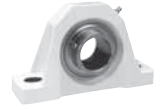


Table 2 - Easy Selection For Polymer And Stainless Steel Housed E-Z KLEEN Ball Bearing Mounted Bearings - Inch

RING SIZE	SHAFT SIZE	DYNAMIC CAPACITY C, lbs.	STATIC CAPACITY CO, LBS	L10 LIFE HOURS	ALLOWABLE EQUIVALENT RADIAL LOAD RATINGS (lbs) AT VARIOUS RPM*																		
					50	150	250	500	750	1000	1500	1750	2000	2500	3000	3500	4500	5000	5500	7500	9500	11000	12000
204	3/4	2899	1390	20000	740	515	435	345	300	275	240	225	215	200	190	180	165	160	155	140	129	123	119
				30000	645	450	380	300	260	240	210	200	190	175	165	155	145	140	135	120	113	107	104
				40000	590	410	345	275	240	215	190	180	170	160	150	145	130	125	125	110	102	97	95
				60000	515	355	300	240	210	190	165	155	150	140	130	125	115	110	105	95	89	85	83
				100000	435	300	255	200	175	160	140	130	125	115	110	105	190	95	90	80	75	72	70
205	7/8 15/16 1	3146	1565	20000	805	560	470	375	325	295	260	245	235	220	205	195	180	175	170	150	140	133	129
				30000	705	485	410	325	285	260	225	215	205	190	180	170	155	150	145	130	122	116	113
				40000	640	445	375	295	260	235	205	195	185	175	165	155	140	135	135	120	111	106	103
				60000	560	385	325	260	225	205	180	170	165	150	140	135	125	120	115	105	97	92	90
				100000	470	325	275	220	190	175	150	145	135	125	120	115	195	100	100	90	82	78	76
206	1-1/8 1-3/16 1-1/4	4368	2250	20000	1115	775	655	520	455	410	360	340	325	305	285	270	250	240	235	210	194	185	
				30000	975	675	570	455	395	360	315	300	285	265	250	235	220	210	205	183	170	161	
				40000	885	615	520	410	360	325	285	270	260	240	225	215	200	190	185	167	154	147	
				60000	775	535	455	360	315	285	250	235	225	210	200	190	175	165	160	146	135	128	
				100000	655	455	380	305	265	240	210	200	190	175	165	160	145	140	135	123	113	108	
207	1-1/4 1-3/8 1-7/16	5759	3065	20000	1475	1020	860	685	595	545	475	450	430	400	375	355	330	315	305	279	256		
				30000	1285	890	755	595	520	475	415	395	375	350	330	310	285	275	270	242	224		
				40000	1170	810	685	545	475	430	375	355	340	315	300	285	260	250	245	220	203		
				60000	1020	710	595	475	415	375	330	310	300	275	260	250	230	220	215	192	177		
				100000	860	595	505	400	350	315	275	265	250	235	220	210	190	185	180	162	150		
208	1-1/2	7332	4005	20000	1875	1300	1095	870	760	690	605	575	550	510	480	455	420	405	392	352			
				30000	1640	1135	960	760	665	605	525	500	480	445	420	400	365	355	342	308			
				40000	1490	1030	870	690	605	550	480	455	435	405	380	360	330	320	310	280			
				60000	1300	900	760	605	525	480	420	400	380	355	330	315	290	280	270	244			
				100000	1095	760	640	510	445	405	355	335	320	300	280	265	245	235	229	206			
209	1-5/8 1-11/16 1-3/4	7891	4450	20000	2020	1400	1180	935	820	745	650	615	590	550	515	490	450	435	420	379			
				30000	1765	1225	1030	820	715	650	570	540	515	480	450	430	395	380	367	331			
				40000	1600	1110	935	745	650	590	515	490	470	435	410	390	360	345	334	301			
				60000	1400	970	820	650	570	515	450	430	410	380	360	340	310	300	292	263			
				100000	1180	820	690	550	480	435	380	360	345	320	300	285	265	255	247	222			
210	1-15/16 2	7891	4450	20000	2020	1400	1180	935	820	745	650	615	590	550	515	490	450	434	420				
				30000	1765	1225	1030	820	715	650	570	540	515	480	450	430	395	379	367				
				40000	1600	1110	935	745	650	590	515	490	470	435	410	390	360	345	334				
				60000	1400	970	820	650	570	515	450	430	410	380	360	340	310	301	292				
				100000	1180	820	690	550	480	435	380	360	345	320	300	285	265	254	247				

* SLIGHT INTERFERENCE FIT REQUIRED WHEN OPERATING TO THE RIGHT OF THE HEAVY LINE OR IN THE SHADED AREA. FOR SC PRODUCT ONLY, OR USE D-LOK OR GT PRODUCTS

Note: Because the allowable loads - especially at low speeds - are extremely high, be sure the shaft strength is adequate and the pillow blocks are base loaded. When imposed load is horizontal, be sure hold-down bolts are adequate. If bearings are cap loaded, full details on load, speed, and shaft size should be referred to DODGE Application Engineering.

Use GT with labyrinth seals when operating right of heavy line

FEATURES/BENEFITS PAGE B1-2	DIMENSIONS PAGE B1-14	INTERCHANGE PAGE B1-88	ACCESSORIES PAGE B1-90
--------------------------------	--------------------------	---------------------------	---------------------------

EASY SELECTION

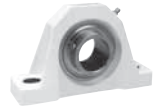


Table 3 - Easy Selection For Polymer And Stainless Steel Housed E-Z KLEEN Ball Bearing Mounted Bearings - Metric

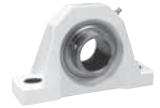
RING SIZE	SHAFT SIZE	DYNAMIC CAPACITY C, N	STATIC CAPACITY CO, N	L10 LIFE HOURS	ALLOWABLE EQUIVALENT RADIAL LOAD RATINGS (N) AT VARIOUS RPM*																				
					50	150	250	500	750	1000	1500	1750	2000	2500	3000	3500	4500	5000	5500	7500	9500	11000	12000		
204	20mm	12895	6183	20000	3292	2291	1935	1535	1334	1223	1068	1001	956	890	845	801	734	712	689	623	574	547	529		
				30000	2869	2002	1690	1334	1156	1068	934	890	845	778	734	689	645	623	600	534	503	476	463		
				40000	2624	1824	1535	1223	1068	956	845	801	756	712	667	645	578	556	556	489	454	431	423		
				60000	2291	1579	1334	1068	934	845	734	689	667	623	578	556	512	489	467	400	356	334	320	311	
				100000	1935	1334	1134	890	778	712	623	578	556	512	489	467	400	356	334	320	311				
205	25mm	13993	6961	20000	3581	2491	2091	1668	1446	1312	1156	1090	1045	979	912	867	801	778	756	667	622	592	574		
				30000	3136	2157	1824	1446	1268	1156	1001	956	912	845	801	756	689	667	645	578	542	516	503		
				40000	2847	1979	1668	1312	1156	1045	912	867	823	778	734	689	623	600	600	534	494	472	458		
				60000	2491	1712	1446	1156	1001	912	801	756	734	667	623	600	556	534	512	467	431	409	400		
				100000	2091	1446	1223	979	845	778	667	645	600	556	534	512	467	445	445	400	365	347	338		
206	30mm	19429	10008	20000	4960	3447	2913	2313	2024	1824	1601	1512	1446	1357	1268	1201	1112	1068	1045	934	862	823			
				30000	4337	3002	2535	2024	1757	1601	1401	1334	1268	1179	1112	1045	979	934	912	814	756	716			
				40000	3936	2736	2313	1824	1601	1446	1268	1201	1156	1068	1001	956	890	845	823	743	685	654			
				60000	3447	2380	2024	1601	1401	1268	1112	1045	1001	934	890	845	778	734	712	649	600	569			
				100000	2913	2024	1690	1357	1179	1068	934	890	845	778	734	712	645	623	600	547	503	480			
207	35mm	25616	13633	20000	6561	4537	3825	3047	2647	2424	2113	2002	1913	1779	1668	1579	1468	1401	1357	1232	1139				
				30000	5716	3959	3358	2647	2313	2113	1846	1757	1668	1557	1468	1379	1268	1223	1201	1076	996				
				40000	5204	3603	3047	2424	2113	1913	1668	1579	1512	1401	1334	1268	1156	1112	1090	978	903				
				60000	4537	3158	2647	2113	1846	1668	1468	1379	1334	1223	1156	1112	1023	979	956	854	787				
				100000	3825	2647	2246	1779	1557	1401	1223	1179	1112	1045	979	934	845	823	801	720	667				
208	40mm	32613	17814	20000	8340	5782	4871	3870	3380	3069	2691	2558	2446	2268	2135	2024	1868	1801	1744	1565					
				30000	7295	5048	4270	3380	2958	2691	2335	2224	2135	1979	1868	1779	1624	1579	1521	1370					
				40000	6628	4581	3870	3069	2691	2446	2135	2024	1935	1801	1690	1601	1468	1423	1378	1245					
				60000	5782	4003	3380	2691	2335	2135	1868	1779	1690	1579	1468	1401	1290	1245	1201	1085					
				100000	4871	3380	2847	2268	1979	1801	1579	1490	1423	1334	1245	1179	1090	1045	1018	916					
209	45mm	35099	19794	20000	8985	6227	5249	4159	3647	3314	2891	2736	2624	2446	2291	2180	2002	1935	1868	1686					
				30000	7851	5449	4581	3647	3180	2891	2535	2402	2291	2135	2002	1913	1757	1690	1632	1472					
				40000	7117	4937	4159	3314	2891	2624	2291	2180	2091	1935	1824	1735	1601	1535	1486	1339					
				60000	6227	4315	3647	2891	2535	2291	2002	1913	1824	1690	1601	1512	1379	1334	1299	1170					
				100000	5249	3647	3169	2446	2135	1935	1690	1601	1535	1423	1334	1268	1179	1134	1099	988					
210	50mm	35099	19794	20000	8985	6227	5249	4159	3647	3314	2891	2736	2624	2446	2291	2180	2002	1931	1868						
				30000	7851	5449	4581	3647	3180	2891	2535	2402	2291	2135	2002	1913	1757	1686	1632						
				40000	7117	4937	4159	3314	2891	2624	2291	2180	2091	1935	1824	1735	1601	1535	1486						
				60000	6227	4315	3647	2891	2535	2291	2002	1913	1824	1690	1601	1512	1379	1339	1299						
				100000	5249	3647	3069	2446	2135	1935	1690	1601	1535	1423	1334	1268	1179	1130	1099						

*SLIGHT INTERFERENCE FIT REQUIRED WHEN OPERATING TO THE RIGHT OF THE HEAVY LINE OR IN THE SHADED AREA. FOR SC PRODUCT ONLY, OR USE D-LOK OR GT PRODUCTS

Note: Because the allowable loads - especially at low speeds - are extremely high, be sure the shaft strength is adequate and the pillow blocks are base loaded. When imposed load is horizontal, be sure hold-down bolts are adequate. If bearings are cap loaded, full details on load, speed, and shaft size should be referred to DODGE Application Engineering.

Use GT with labyrinth seals when operating right of heavy line

FEATURES/BENEFITS PAGE B1-2	DIMENSIONS PAGE B1-14	INTERCHANGE PAGE B1-88	ACCESSORIES PAGE B1-90
--------------------------------	--------------------------	---------------------------	---------------------------

EASY SELECTION**Table 4 - Easy Selection For E-Z KLEEN Polymer-Housed Sleeve Bearing Mounted Units - Inch****RADIAL LOAD RATINGS (LBS) AT VARIOUS REVOLUTIONS PER MINUTE (RPM)**

Series	Shaft Size	Up To 10	25	50	75	100	150	200	250
204	3/4	450	400	375	300	230	175	110	90
205	1	600	550	450	215	235	175	110	90
206	1-3/16 1-1/4	900	800	500	325	250	175	110	90
207	1-1/4 1-7/16	1000	900	600	400	300	175	120	95
208	1-1/2	1400	1200	700	430	320	180	125	95
209	1-11/16 1-3/4	1600	1400	725	435	335	180	125	95
210	1-15/16	1800	1600	750	450	350	185	130	100

RADIAL LOAD RATINGS (LBS) AT VARIOUS REVOLUTIONS PER MINUTE (RPM)

Series	Shaft Size	300	350	400	450	500	550	600	650
204	3/4	60	50	45	40	35	25	20	15
205	1	60	50	45	40	35	25	20	15
206	1-3/16 1-1/4	65	60	50	40	35	30	25	20
207	1-1/4 1-7/16	70	65	55	45	40	35	30	
208	1-1/2	70	65	55	45	40	35		
209	1-11/16 1-3/4	70	65	55	45	40			
210	1-15/16	80	70	60	50	45			

Continuous operating temperature: -40 to 180° F

FEATURES/BENEFITS
PAGE B1-2DIMENSIONS
PAGE B1-14INTERCHANGE
PAGE B1-88ACCESSORIES
PAGE B1-90

EASY SELECTION



Table 5 - Easy Selection For E-Z KLEEN Polymer-Housed Sleeve Bearing Mounted Units - Metric

RADIAL LOAD RATINGS (NEWTONS) AT VARIOUS REVOLUTIONS PER MINUTE (RPM)

Series	Shaft Size	Up To 10	25	50	75	100	150	200	250
204	20	2000	1775	1665	1330	1020	775	485	400
205	25	2665	2445	2000	1400	1045	775	485	400
206	30	4000	3555	2220	1445	1110	775	485	400
207	35	4445	4000	2665	1775	1330	775	530	420
208	40	6225	5335	3110	1910	1420	8000	555	420
209	45	7115	6225	3220	1930	1490	8000	555	420
210	50	8005	7115	3335	2000	1555	820	575	440

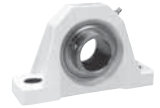
RADIAL LOAD RATINGS (NEWTONS) AT VARIOUS REVOLUTIONS PER MINUTE (RPM)

Series	Shaft Size	300	350	400	450	500	550	600	650
204	20	265	220	200	175	155	110	85	65
205	25	265	220	200	175	155	110	85	65
206	30	285	265	220	175	155	130	110	85
207	35	310	285	240	200	175	155	130	
208	40	310	285	240	200	175	155		
209	45	310	285	240	200	175			
210	50	355	310	265	220	200			

Continuous operating temperature: -40 to 82° C

FEATURES/BENEFITS PAGE B1-2	DIMENSIONS PAGE B1-14	INTERCHANGE PAGE B1-88	ACCESSORIES PAGE B1-90
--------------------------------	--------------------------	---------------------------	---------------------------

EASY SELECTION



E-Z KLEEN POLYMER HOUSINGS

General Resistance to Chemical Groups at Room Temperature (20°C/68°F)

Chemical Group	Condition Or Subgroup	Resistance
Inorganic Acids (non-oxidizing)	concentrated	-
	diluted (1:1)	+1.00
	highly diluted	+1.00
Inorganic Acids (oxidizing)	concentrated	-
	diluted (1:1)	-
	highly diluted	+
Organic Acids	concentrated	=
	diluted (1:1)	+
	highly diluted	+
Bases	concentrated	-
	diluted (1:1)	-
	highly diluted	=
Salt Solutions	acidic	+
	neutral	+
	basic	=
Aliphatic Hydrocarbons		+
	oils and greases	+
Aromatic Hydrocarbons		=
	phenols	-
Halogenated Hydrocarbons	perhalogenated	+
	partially halogenated	-
Alcohols	monovalent	+
	polyvalent	=
Ketones		=
Esters		=
Ethers		+

(1) except hydrofluoric acid

(+) excellent resistance (=) good-fair resistance (-) fair-poor resistance (blank) no data available

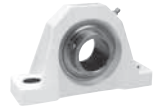
FEATURES/BENEFITS
PAGE B1-2

DIMENSIONS
PAGE B1-14

INTERCHANGE
PAGE B1-88

ACCESSORIES
PAGE B1-90

EASY SELECTION

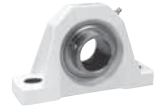


CHEMICAL RESISTANCE CHART

Chemical Agent	Solution Conc.	@ 23°C (73°F)		@ 60°C (140°F)		@ 80°C (175°F)
		Polymer Housing	Polymer Insert	Polymer Housing	Polymer Insert	Polymer Housing
A						
Acetic Acid	5%	+	+	=		=
Acetic Acid	10%	+		=		=
Acetic Acid	20%	=	-	=	-	=
Acetic Acid	80%	=	-	=	-	=
Acetic Acid	100%	=		=		=
Acetone		=	=			
Ammonium Chloride	10%		+		+	
Ammonium Hydroxide	10%	=	-			
Ammonium Hydroxide	conc.	-				
Aniline		+	=		=	
B						
Benzene		=	=	=	=	
Bleaching Lye		+		+		
Brake Fluid		+	+	+	+	+
Butane		+				
Butanol		=		=		
Butyl Acetate		+		=		
C						
Calcium Chloride	5%	+	+	+		
Calcium Chloride	10%	+		+		
Calcium Hydroxide	10%		+		+	
Calcium Hypochlorite		+		+		
Carbon Disulphide		+				
Carbon Tetrachloride		+	+			
Castor Oil			+			
Chloroform		-				
Chromic Acid	40%	+		-		-
Citric Acid	10%	+		+		+
Cottonseed Oil		+		+		+
Cresol		-		-		-
D						
Detergents	1%	+	+	=		-
Detergents	25%	+	+	=		-
Dibutyl Phthalate		+		+		
Diesel Oil		+				
Dioxane		+	=	-	=	
E						
Ethanol		+	=			
Ether (diethyl-)		+				
Ethyl Acetate		=	=			
Ethylene Dichloride		-				
(+) excellent resistance (=) good-fair resistance (-) fair-poor resistance (blank) no data available						

FEATURES/BENEFITS PAGE B1-2	DIMENSIONS PAGE B1-14	INTERCHANGE PAGE B1-88	ACCESSORIES PAGE B1-90
--------------------------------	--------------------------	---------------------------	---------------------------

EASY SELECTION

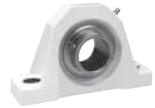


CHEMICAL RESISTANCE CHART

Chemical Agent	Solution Conc.	@ 23°C (73°F)		@ 60°C (140°F)		@ 80°C (175°F)
		Polymer Housing	Polymer Insert	Polymer Housing	Polymer Insert	Polymer Housing
F						
Ferrous Chloride	5%		+			
Formic Acid	5%	+		=		+
Formic Acid	90%	=		-		-
Freon 11		+				
G						
Gasoline		+	+			
Glycerol (Glycerin)		=		=		
Glycol		=		=		
Grease		+	+	+	+	+
H						
Heptane		+				
Hexane		+	+		+	
Hydrochloric Acid	10%	+	-	=	-	-
Hydrochloric Acid	90%	-	-	-	-	-
Hydrofluoric Acid	5%	-		-		-
Hydrofluoric Acid	50%	-		-		-
Hydrogen Peroxide	3%	+	+			
Hydrogen Peroxide	30%	=	+			
IJ						
Isoamyle Alcohol			=		=	
Isopropanol		=		=		
KL						
Kerosene		+	+		+	
Lithium Chloride	43%		+		+	
M						
Methanol		+	=		=	
Methylene Chloride		-	+	-		
Methyl Ethyl Ketone		+	+	=	+	
Methyl Salicylate			+			
Mineral Oil		+	+	+	+	+
Motor Oils		+	+	+	+	+
N						
Nitric Acid	10%	+	-	=	-	=
Nitric Acid	40%	-	-	-	-	-
Nitric Acid	70%	-	-	-	-	-
O						
Oleic Acid	100%	+		+		+
Olive Oil		+	+	+	+	+
P						
Perchloroethylene		+	=	=	=	
Petroleum Ether		+				
Phenol		=		-	-	-
(+) excellent resistance (=) good-fair resistance (-) fair-poor resistance (blank) no data available						

FEATURES/BENEFITS PAGE B1-2	DIMENSIONS PAGE B1-14	INTERCHANGE PAGE B1-88	ACCESSORIES PAGE B1-90
--------------------------------	--------------------------	---------------------------	---------------------------

EASY SELECTION

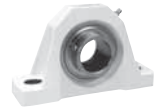


CHEMICAL RESISTANCE CHART

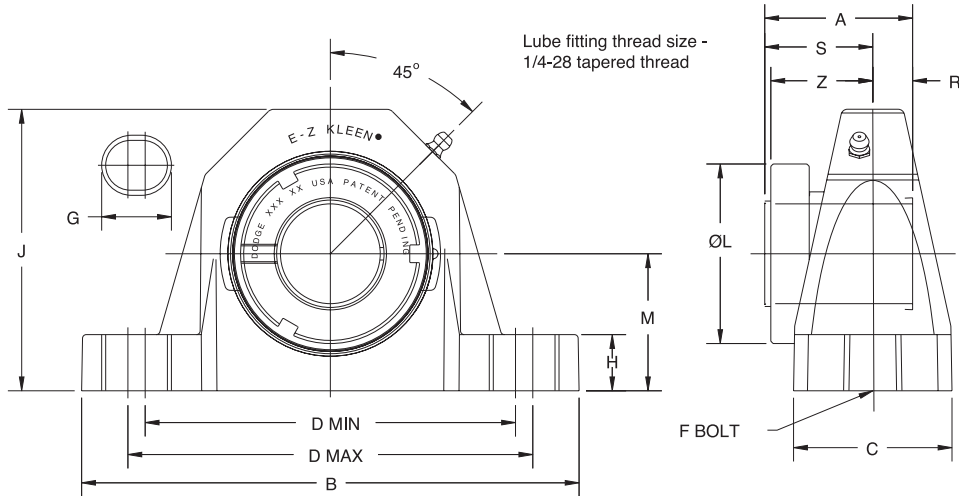
Chemical Agent	Solution Conc.	@ 23°C (73°F)		@ 60°C (140°F)		@ 80°C (175°F)
		Polymer Housing	Polymer Insert	Polymer Housing	Polymer Insert	Polymer Housing
P						
Phosphoric Acid	3%	+		+		+
Phosphoric Acid	30%	+	-	+	-	+
Phosphoric Acid	85%	+	-	+	-	-
Potassium Chloride	10%	+		=		-
Potassium Dichromate	10%	+				
Potassium Hydroxide	1%	-		-		-
Potassium Hydroxide	10%	-		-		-
Potassium Hydroxide	60%	-		-		-
Potassium Permanganate	10%	+	+		+	
S						
Silicone Fluids		+		+		+
Soap Solution	1%	+	+	=	=	-
Sodium Bicarbonate	10%	+		=		-
Sodium Bisulfate	5%		+			
Sodium Bisulfite	5%	+	-			
Sodium Bisulfite	10%	+	-	=		-
Sodium Carbonate	10%	+		-		-
Sodium Carbonate	20%	+		-		-
Sodium Chloride	10%	+	+	=	+	-
Sodium Hydroxide	1%	-		-		-
Sodium Hydroxide	10%	-	-	-		-
Sodium Hydroxide	60%	-		-		-
Sodium Hypochlorite	5%	+	-			
Sodium Hypochlorite	10%	+		=		-
Sulfuric Acid	3%	+	-	+	-	+
Sulfuric Acid	30%	+	-	+	-	-
Sulfuric Acid	98%	-	-	-	-	-
T						
Tetrahydrofuran		=				
Toulene		+	=			
Transformer Oil		+	+	+	+	+
Trichlorethylene		=				
Triethylamine			=		=	
Turpentine		+				
V						
Vaseline		+		+		+
Vegetable Oils		+	+	+	+	+
W						
Water		+	+	=	=	-
White Spirits		+				
X						
Xylene		+				
(+) excellent resistance (=) good-fair resistance (-) fair-poor resistance (blank) no data available						

FEATURES/BENEFITS PAGE B1-2	DIMENSIONS PAGE B1-14	INTERCHANGE PAGE B1-88	ACCESSORIES PAGE B1-90
--------------------------------	--------------------------	---------------------------	---------------------------

SELECTIONS/DIMENSIONS



E-Z KLEEN Mounted Bearings GTEZ Normal Duty Polymer Housed Pillow Blocks



Series	Shaft Size	Complete Unit		Unit without Adapter		Adapter & Nut Assembly	
		Part No.	Description	Part No.	Description	Part No.	Description
204	3/4	129244	P2B-GTEZ-012-PCR	129530	P2B-GTEZ-04-PCR	129967	AN-GT-04-012-CR
	20mm	129245	P2B-GTEZ-20M-PCR			129980	AN-GT-04-20M-CR
205	1	129246	P2B-GTEZ-100-PCR	129531	P2B-GTEZ-05-PCR	129968	AN-GT-05-100-CR
	25mm	129247	P2B-GTEZ-25M-PCR			129981	AN-GT-05-25M-CR
206 (GTU)	1-1/8	@	P2B-GTUEZ-102-PCR	129536	P2B-GTUEZ-06-PCR	129969	AN-GT-06-102-CR
	1-3/16	129248	P2B-GTUEZ-103-PCR			129602	AN-GT-06-103-CR
	1-1/4	129249	P2B-GTUEZ-104S-PCR			129603	AN-GT-06-104S-CR
	30mm	129250	P2B-GTUEZ-30M-PCR			129611	AN-GT-06-30M-CR
207	1-1/4	129251	P2B-GTEZ-104-PCR	129532	P2B-GTEZ-07-PCR	129972	AN-GT-07-104-CR
	1-3/8	129392	P2B-GTEZ-106-PCR			129973	AN-GT-07-106-CR
	1-7/16	129252	P2B-GTEZ-107-PCR			129974	AN-GT-07-107-CR
	35mm	129253	P2B-GTEZ-35M-PCR			129983	AN-GT-07-35M-CR
208 (GTB)	1-1/2	129254	P2B-GTBEZ-108-PCR	129535	P2B-GTBEZ-08-PCR	129606	AN-GT-08-108-CR
	40mm	129255	P2B-GTBEZ-40M-PCR			129613	AN-GT-08-40M-CR
209	1-11/16	129256	P2B-GTEZ-111-PCR	129533	P2B-GTEZ-09-PCR	129976	AN-GT-09-111-CR
	1-3/4	129396	P2B-GTEZ-112-PCR			129977	AN-GT-09-112-CR
	45mm	129257	P2B-GTEZ-45M-PCR			129985	AN-GT-09-45M-CR
210	1-15/16	129258	P2B-GTEZ-115-PCR	129534	P2B-GTEZ-10-PCR	129978	AN-GT-10-115-CR
	2	129393	P2B-GTEZ-200-PCR			129979	AN-GT-10-200-CR
	50mm	129259	P2B-GTEZ-50M-PCR			129986	AN-GT-10-50M-CR

FEATURES/BENEFITS PAGE B1-2	SELECTION PAGE B1-5	INTERCHANGE PAGE B1-88	ACCESSORIES PAGE B1-90
--------------------------------	------------------------	---------------------------	---------------------------

SELECTION/DIMENSIONS



E-Z KLEEN Mounted Bearings GTEZ Normal Duty Polymer Housed Pillow Blocks

Bearing Quick Reference

E-Z KLEEN

GRIP TIGHT Adapter Ball Bearing

Set Screw Ball Bearing

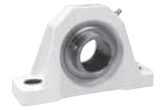
Eccentric Collar Ball Bearing

Series	Shaft Size	Weight lbs kg	A	B	C	D		F Bolt Dia.	G	H	J	L	M	R#	S#	Z
						min.	max.									
204	3/4	0.9	1-15/32	5-1/32	1-31/64	3-43/64	3-59/64	3/8	19/32	39/64	2-5/8	1-1/2	1-5/16	31/64	63/64	1-3/64
	20 mm	0.4	37.3	127.8	37.7	93.3	99.6	M10	15.1	15.5	66.7	38.1	33.3	12.3	25	26.6
205	1	1.1	1-29/64	5-1/2	1-31/64	3-31/32	4-13/64	3/8	19/32	39/64	2-55/64	1-51/64	1-7/16	1/2	61/64	1-1/64
	25 mm	0.5	36.9	139.7	37.7	100.8	106.8	M10	15.1	15.5	72.6	45.6	36.5	12.8	24.2	25.8
206 (GTU)	1-1/8	1.8	1-39/64	6-5/16	1-25/32	4-39/64	4-57/64	1/2	23/32	45/64	3-11/32	2-5/64	1-11/16	17/32	1-5/64	1-1/8
	1-3/16	1.7														
207	1-1/4	1.6														
	30 mm	0.8	40.9	160.3	45.2	116.9	124.2	M12	18.3	17.9	84.9	52.8	42.9	13.5	27.4	28.6
	35 mm	1.1	41.3	166.3	47.6	122.2	130.2	M12	18.3	18.3	98.8	60.3	47.6	14.3	27	29.0
208 (GTB)	1-1/2	3.0	1-27/32	7-13/64	2-7/64	5-7/64	5-41/64	1/2	7/8	49/64	4-11/64	2-5/8	1-15/16	21/32	1-3/16	1-15/64
	40 mm	1.4	46.8	183.0	53.6	129.6	143.3	M12	22.2	19.4	106	66.7	49.2	16.7	30.2	31.4
209	1-11/16	3.4	1-55/64	7-13/64	2-7/64	5-31/32	5-27/64	1/2	7/8	27/32	4-5/16	2-5/64	2-1/8	21/32	1-3/16	1-9/32
	45 mm	1.6	47.2	183.0	53.6	137.7	151.6	M12	22.2	21.4	109.5	72.6	54	16.7	30.2	32.5
210	1-15/16	4.2	1-55/64	8-1/16	2-23/64	6	6-9/16	5/8	1	59/64	4-9/16	3-1/8	2-1/4	21/32	1-13/64	1-9/32
	50 mm	1.7	47.2	204.8	59.9	152.4	166.7	M16	25.4	23.4	115.9	79.4	57.2	16.7	30.6	32.5

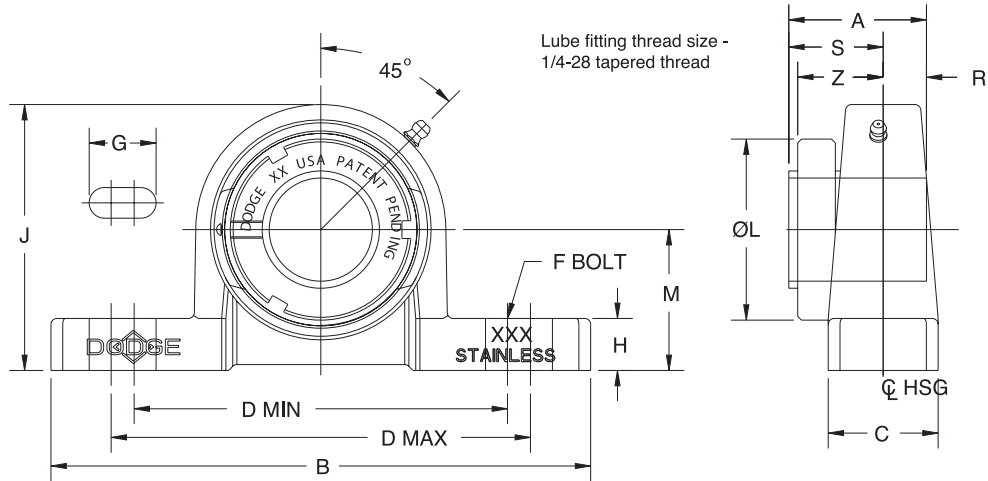
#R & S dimensions will vary slightly depending on true shaft diameter

FEATURES/BENEFITS PAGE B1-2	SELECTION PAGE B1-5	INTERCHANGE PAGE B1-88	ACCESSORIES PAGE B1-90
--------------------------------	------------------------	---------------------------	---------------------------

SELECTIONS/DIMENSIONS



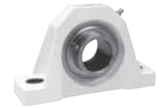
E-Z KLEEN Mounted Bearings GTEZ NORMAL DUTY STAINLESS STEEL HOUSED PILLOW BLOCKS



Series	Shaft Size	Complete Unit		Unit Without Adapter		Adapter & Nut Assembly	
		Part No.	Description	Part No.	Description	Part No.	Description
204	3/4 20mm	129260	P2B-GTEZ-012-SHCR	129559	P2B-GTEZ-04-SHCR	129967	AN-GT-04-012-CR
		129261	P2B-GTEZ-20M-SHCR			129980	AN-GT-04-20M-CR
205	1 25mm	129262	P2B-GTEZ-100-SHCR	129560	P2B-GTEZ-05-SHCR	129968	AN-GT-05-100-CR
		129263	P2B-GTEZ-25M-SHCR			129981	AN-GT-05-25M-CR
206	1-1/8	064994	P2B-GTEZ-102-SHCR	129561	P2B-GTEZ-06-SHCR	129969	AN-GT-06-102-CR
	1-3/16	129264	P2B-GTEZ-103-SHCR			129970	AN-GT-06-103-CR
	1-1/4	@	P2B-GTEZ-104S-SHCR			129971	AN-GT-06-104-CR
	30mm	@	P2B-GTEZ-30M-SHCR			129982	AN-GT-06-30M-CR
206 (GTU)	1-1/8	@	P2B-GTUEZ-102-SHCR	129566	P2B-GTUEZ-06-SHCR	129969	AN-GT-06-102-CR
	1-3/16	129265	P2B-GTUEZ-103-SHCR			129602	AN-GT-06-103-CR
	1-1/4	129266	P2B-GTUEZ-104S-SHCR			129605	AN-GT-06-104S-CR
	30mm	129267	P2B-GTUEZ-30M-SHCR			129612	AN-GT-06-30M-CR
207	1-1/4	129268	P2B-GTEZ-104-SHCR	129562	P2B-GTEZ-07-SHCR	129972	AN-GT-07-104-CR
	1-3/8	067678	P2B-GTEZ-106-SHCR			129973	AN-GT-07-106-CR
	1-7/16	129269	P2B-GTEZ-107-SHCR			129974	AN-GT-07-107-CR
	35mm	129270	P2B-GTEZ-35M-SHCR			129983	AN-GT-07-35M-CR
208	1-1/2	129271	P2B-GTEZ-108-SHCR	129563	P2B-GTEZ-08-SHCR	129975	AN-GT-08-108-CR
	40mm	@	P2B-GTEZ-40M-SHCR			129984	AN-GT-08-40M-CR
208 (GTB)	1-1/2	129272	P2B-GTBEZ-108-SHCR	129565	P2B-GTBEZ-08-SHCR	129606	AN-GT-08-108-CR
	40mm	129273	P2B-GTBEZ-40M-SHCR			129613	AN-GT-08-40M-CR
210	1-15/16	129274	P2B-GTEZ-115-SHCR	129564	P2B-GTEZ-10-SHCR	129978	AN-GT-10-115-CR
	2 50mm	@	P2B-GTEZ-200-SHCR			129979	AN-GT-10-200-CR
		129275	P2B-GTEZ-50M-SHCR			129986	AN-GT-10-50M-CR

FEATURES/BENEFITS PAGE B1-2	SELECTION PAGE B1-5	INTERCHANGE PAGE B1-88	ACCESSORIES PAGE B1-90
--------------------------------	------------------------	---------------------------	---------------------------

SELECTION/DIMENSIONS



E-Z KLEEN Mounted Bearings GTEZ NORMAL DUTY STAINLESS STEEL HOUSED PILLOW BLOCKS

Bearing Quick Reference

E-Z KLEEN

GRIP TIGHT Adapter Ball Bearing

Set Screw Ball Bearing

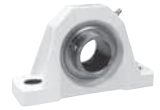
Eccentric Collar Ball Bearing

Series	Shaft Size	Weight lbs kg	A	B	C	D		F Bolt Dia.	G	H	J	L	M	R#	S#	Z
						min.	max.									
204	3/4	1.46	1-15/32	5	1	3-3/8	4-3/16	3/8	27/32	1/2	2-1/2	1-1/2	1-5/16	31/64	63/64	1-3/64
	20mm	0.65	37.3	127.0	25.4	85.7	106.4	M10	21.4	12.7	63.5	38.1	33.3	12.3	25	26.7
205	1	1.92	1-29/64	5-1/2	1-1/8	3-11/16	4-1/2	3/8	27/32	17/32	2-23/32	1-51/64	1-7/16	1/2	61/64	1-1/64
	25mm	0.83	36.9	139.7	28.6	93.7	114.3	M10	21.4	13.5	68.7	45.6	36.5	12.7	24.2	25.9
206	1-1/8	2.60	1-39/64	6-1/4	1-1/4	4-17/64	5	1/2	15/16	17/32	3-1/8	2-5/64	1-5/8	17/32	1-5/64	1-1/8
	1-3/16															
	1-1/4	1.18	40.9	158.8	31.8	108.3	127	M12	23.8	13.5	79.4	52.8	41.3	13.5	27.4	28.7
206 (GTU)	1-1/8	2.65	1-39/64	6-1/4	1-1/4	4-17/64	5	1/2	15/16	19/32	3-3/16	2-5/64	1-11/16	17/32	1-5/64	1-1/8
	1-3/16															
	1-1/4	1.18	40.9	158.8	31.8	108.3	127	M12	23.8	15.1	81.0	52.8	42.9	13.5	27.4	28.7
207	1-1/4	3.83	1-5/8	6-1/2	1-3/8	4-11/16	5-7/16	1/2	15/16	9/16	3-5/8	2-3/8	1-7/8	9/16	1-1/16	1-9/64
	1-3/8															
	1-7/16	1.75	41.3	165.1	34.9	119.1	138.1	M12	23.8	14.3	92.1	60.3	47.6	14.3	27	29.1
208	1-1/2	4.90	1-27/32	7	1-1/2	5-3/16	6	1/2	31/32	3/4	4	2-5/8	2-1/8	21/32	1-3/16	1-15/64
	40mm	2.22	46.8	177.8	38.1	131.8	152.4	M12	24.6	19.1	101.6	66.7	54	16.7	30.2	31.5
208 (GTB)	1-1/2	4.85	1-27/32	7	1-1/2	5-3/16	6	1/2	31/32	9/16	3-13/16	2-5/8	1-15/16	21/32	1-3/16	1-15/64
	40mm	2.22	46.8	177.8	38.1	131.8	152.4	M12	24.6	14.3	96.8	66.7	49.2	16.7	30.2	31.5
210	1-15/16	6.14	1-55/64	8	1-5/8	5-49/64	6-11/16	5/8	1-9/64	5/8	4-5/16	3-1/8	2-1/4	21/32	1-13/64	1-9/32
	2 50mm	2.62	47.2	203.2	41.3	146.4	169.9	M16	29	15.9	109.5	79.4	57.2	16.7	30.6	32.6

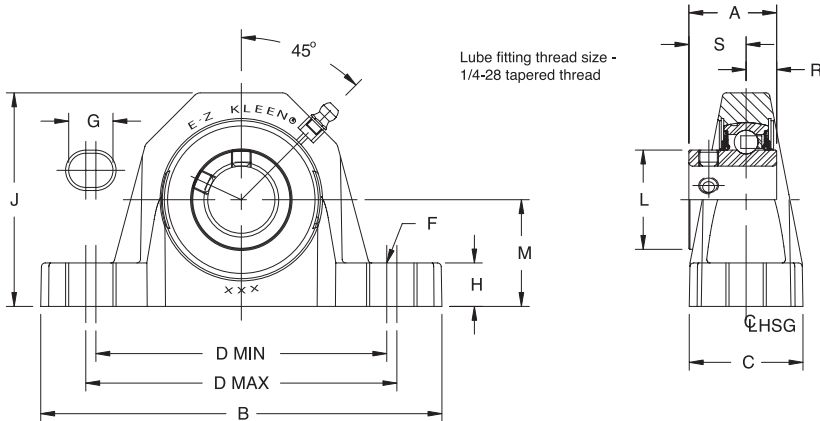
#R & S dimensions will vary slightly depending on true shaft diameter

FEATURES/BENEFITS PAGE B1-2	SELECTION PAGE B1-5	INTERCHANGE PAGE B1-88	ACCESSORIES PAGE B1-90
--------------------------------	------------------------	---------------------------	---------------------------

SELECTIONS/DIMENSIONS



E-Z KLEEN Mounted Bearings SCEZ NORMAL DUTY POLYMER HOUSED PILLOW BLOCKS



Series	Shaft Size	With Corrosion Resistant Insert		Standard Insert With Flingers	
		Part No.	Description	Part No.	Description
204	1/2	@	P2B-SCEZ-008L-PCR*	@	P2B-SCEZ-008L-P
	5/8	068322	P2B-SCEZ-010L-PCR*	064572	P2B-SCEZ-010L-P
	3/4	127500	P2B-SCEZ-012-PCR	@	P2B-SCEZ-012-P
	20 mm	127545	<i>P2B-SCEZ-20M-PCR</i>	@	<i>P2B-SCEZ-20M-P</i>
205	7/8	064839	P2B-SCEZ-014-PCR*	062837	P2B-SCEZ-014-P
	15/16	058975	P2B-SCEZ-015-PCR*	@	P2B-SCEZ-015-P
	1	127501	P2B-SCEZ-100-PCR	058597	P2B-SCEZ-100-P
	25 mm	127546	<i>P2B-SCEZ-25M-PCR</i>	@	<i>P2B-SCEZ-25M-P</i>
206	1-1/8	@	P2B-SCUEZ-102-PCR*	067919	P2B-SCUEZ-102-P
	1-3/16	127502	P2B-SCUEZ-103-PCR	@	P2B-SCUEZ-103-P
	1-1/4	127503	P2B-SCUEZ-104S-PCR	058596	P2B-SCUEZ-104S-P
	30 mm	127547	P2B-SCUEZ-30M-PCR	@	P2B-SCUEZ-30M-P
207	1-1/4	127504	P2B-SCEZ-104-PCR	065655	P2B-SCEZ-104-P
	1-5/16	059722	P2B-SCEZ-105-PCR*	@	P2B-SCEZ-105-P
	1-3/8	058944	P2B-SCEZ-106-PCR*	@	P2B-SCEZ-106-P
	1-7/16	127505	P2B-SCEZ-107-PCR	064064	P2B-SCEZ-107-P
35 mm	127548	<i>P2B-SCEZ-35M-PCR</i>	@	<i>P2B-SCEZ-35M-P</i>	
208	1-1/2	127506	P2B-SCBEZ-108-PCR	@	P2B-SCBEZ-108-P
	1-5/8	068495	P2B-SCBEZ-110-PCR*	@	P2B-SCBEZ-110-P
	40 mm	127549	<i>P2B-SCBEZ-40M-PCR</i>	@	<i>P2B-SCBEZ-40M-P</i>
209	1-5/8	@	P2B-SCBEZ-110L-PCR*	@	P2B-SCBEZ-110L-P
	1-11/16	127507	P2B-SCEZ-111-PCR	067996	P2B-SCEZ-111-P
	1-3/4	058931	P2B-SCEZ-112-PCR	@	P2B-SCEZ-112-P
	45 mm	127550	<i>P2B-SCEZ-45M-PCR</i>	@	<i>P2B-SCEZ-45M-P</i>
210	1-15/16	127508	P2B-SCEZ-115-PCR	056497	P2B-SCEZ-115-P
	2	057898	P2B-SCEZ-200-PCR	@	P2B-SCEZ-200-P
	50 mm	127551	<i>P2B-SCEZ-50M-PCR</i>	@	<i>P2B-SCEZ-50M-P</i>

@ Assembled to order

* 20 piece minimum

FEATURES/BENEFITS PAGE B1-2	SELECTION PAGE B1-5	INTERCHANGE PAGE B1-88	ACCESSORIES PAGE B1-90
--------------------------------	------------------------	---------------------------	---------------------------

SELECTION/DIMENSIONS

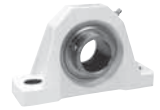


E-Z KLEEN Mounted Bearings SCEZ NORMAL DUTY POLYMER HOUSED PILLOW BLOCKS

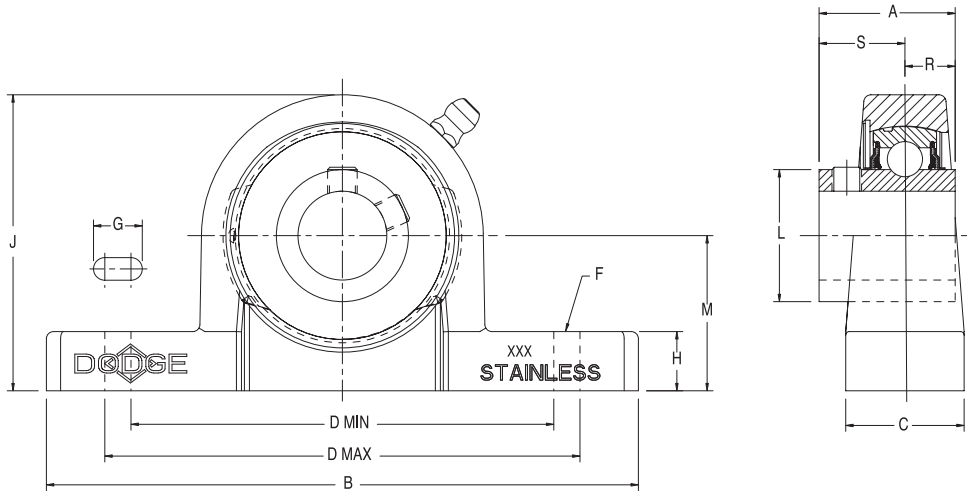
Size	Shaft Series	Weight lbs kg	A	B	C	D		F Bolt Dia.	G	H	J	L	M	R	S
						min.	max.								
204	1/2	0.68	1-5/32	5-1/32	1-31/64	3-43/64	3-59/64	3/8	19/32	39/64	2-5/8	1-1/8	1-5/16	27/64	47/64
	5/8	0.66													
	3/4 20 mm	0.64 0.30	29.4	127.8	37.7	93.3	99.6	M10	15.1	15.5	66.7	28.6	33.3	10.7	18.7
205	7/8	0.73	1-3/16	5-1/2	1-31/64	3-31/32	4-13/64	3/8	19/32	39/64	2-55/64	1-21/64	1-7/16	27/64	49/64
	15/16	0.71													
	1 25 mm	0.69 0.32	30.2	139.7	37.7	100.8	106.8	M10	15.1	15.5	72.6	33.7	36.5	10.7	19.4
206	1-1/8	1.15	1-25/64	6-5/16	1-25/32	4-39/64	4-57/64	1/2	23/32	45/64	3-11/32	1-37/64	1-11/16	31/64	29/32
	1-3/16	1.13													
	1-1/4 30 mm	1.11 0.51	35.3	160.3	45.2	116.9	124.2	M12	18.3	17.9	84.9	40.1	42.9	12.3	23
207	1-1/4	1.68	1-17/32	6-35/64	1-7/8	4-13/16	5-1/8	1/2	23/32	23/32	3-57/64	1-27/32	1-7/8	1/2	1-1/32
	1-5/16	1.63													
	1-3/8 1-7/16 35 mm	1.58 1.52 0.74	38.9	166.3	47.8	122.2	130.2	M12	18.3	18.3	98.8	46.8	47.6	12.7	26.2
208	1-1/2	2.08	1-11/16	7-13/64	2-7/64	5-7/64	5-41/64	1/2	7/8	49/64	4-11/64	2-3/64	1-15/16	19/32	1-3/32
	1-5/8	2.00													
	40 mm	0.88	42.9	183.0	53.6	129.6	143.3	M12	22.2	19.4	106	52	49.2	15.1	27.8
209	1-5/8	2.41	1-23/32	7-13/64	2-7/64	5-27/64	5-31/32	1/2	7/8	27/32	4-5/16	2-7/32	2-1/8	19/32	1-1/8
	1-11/16	2.34													
	1-3/4 45 mm	2.27 1.03	43.7	183.0	53.6	137.7	151.6	M12	22.2	21.4	109.5	56.4	54	15.1	28.6
210	1-15/16	2.65	1-3/4	8-1/16	2-23/64	6	6-9/16	5/8	1	59/64	4-9/16	2-7/16	2-1/4	19/32	1-5/32
	2	2.58													
	50 mm	1.30	44.5	204.8	59.9	152.4	166.7	M16	25.4	23.4	115.9	61.9	57.2	15.1	29.4

FEATURES/BENEFITS PAGE B1-2	SELECTION PAGE B1-5	INTERCHANGE PAGE B1-88	ACCESSORIES PAGE B1-90
--------------------------------	------------------------	---------------------------	---------------------------

SELECTIONS/DIMENSIONS



E-Z KLEEN Mounted Bearings SCEZ NORMAL DUTY STAINLESS STEEL HOUSED PILLOW BLOCKS



Series	Shaft Size	With Corrosion Resistant Insert		Standard Insert with Flingers	
		Part No.	Description	Part No.	Description
204	1/2	@	P2B-SCEZ-008L-SHCR	@	P2B-SCEZ-008L-SH
	5/8	068236	P2B-SCEZ-010L-SHCR*	@	P2B-SCEZ-010L-SH
	3/4	127670	P2B-SCEZ-012-SHCR	059870	P2B-SCEZ-012-SH
	20mm	127697	<i>P2B-SCEZ-20M-SHCR</i>	@	<i>P2B-SCEZ-20M-SH</i>
205	7/8	056553	P2B-SCEZ-014-SHCR*	049996	P2B-SCEZ-014-SH
	15/16	067839	P2B-SCEZ-015-SHCR*	@	P2B-SCEZ-015-SH
	1	127671	P2B-SCEZ-100-SHCR	056796	P2B-SCEZ-100-SH
	25mm	127698	<i>P2B-SCEZ-25M-SHCR</i>	@	<i>P2B-SCEZ-25M-SH</i>
206	1-1/8	@	P2B-SCEZ-102-SHCR*	056548	P2B-SCEZ-102-SH
	1-3/16	127672	P2B-SCEZ-103-SHCR	056797	P2B-SCEZ-103-SH
	1-1/4	127674	P2B-SCEZ-104S-SHCR	067630	P2B-SCEZ-104S-SH
	30mm	@	<i>P2B-SCEZ-30M-SHCR</i>	@	<i>P2B-SCEZ-30M-SH</i>
206 (SCU)	1-1/8	@	P2B-SCUEZ-102-SHCR*	@	P2B-SCUEZ-102-SH
	1-3/16	127673	P2B-SCUEZ-103-SHCR	@	P2B-SCUEZ-103-SH
	1-1/4	127675	P2B-SCUEZ-104S-SHCR	@	P2B-SCUEZ-104S-SH
	30mm	127699	<i>P2B-SCUEZ-30M-SHCR</i>	@	<i>P2B-SCUEZ-30M-SH</i>

@ Assembled to order
*20 piece minimum

FEATURES/BENEFITS PAGE B1-2	SELECTION PAGE B1-5	INTERCHANGE PAGE B1-88	ACCESSORIES PAGE B1-90
--------------------------------	------------------------	---------------------------	---------------------------

SELECTION/DIMENSIONS



E-Z KLEEN Mounted Bearings SCEZ NORMAL DUTY STAINLESS STEEL HOUSED PILLOW BLOCKS

Bearing Quick Reference

E-Z KLEEN

GRIP TIGHT Adapter Ball Bearing

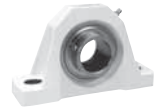
Set Screw Ball Bearing

Eccentric Collar Ball Bearing

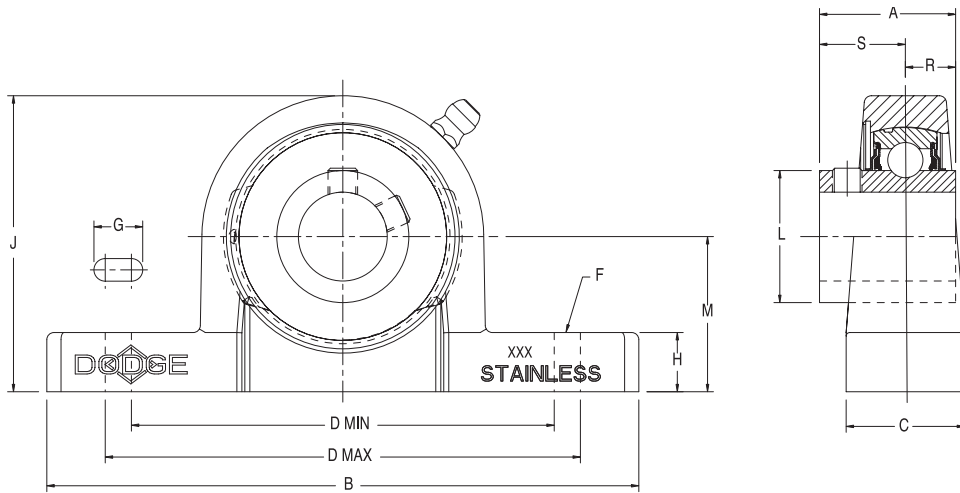
Series	Shaft Size	Weight lbs kg	A	B	C	D		F Bolt Dia.	G	H	J	L	M	R	S
						min.	max.								
204	1/2	1.39	1-5/32	5	1	3-3/8	4-3/16	3/8	27/32	1/2	2-1/2	1-1/8	1-5/16	27/64	47/64
	5/8	1.35													
	3/4	1.31													
	20mm	0.59	29.4	127.0	25.4	85.7	106.4	M10	21.4	12.7	63.5	28.6	33.3	10.7	18.7
205	7/8	1.65	1-3/16	5-1/2	1-1/8	3-11/16	4-1/2	3/8	27/32	17/32	2-23/32	1-21/64	1-7/16	27/64	49/64
	15/16	1.62													
	1	1.59													
	25mm	0.73	30.2	139.7	28.6	93.7	114.3	M10	21.4	13.5	69.1	33.7	36.5	10.7	19.4
206	1-1/8	2.37	1-25/64	6-1/4	1-1/4	4-17/64	5	1/2	15/16	17/32	3-1/8	1-37/64	1-5/8	31/64	29/32
	1-3/16	2.33													
	1-1/4	2.29													
	30mm	1.06	35.3	158.8	31.8	108.3	127	M12	23.8	13.5	79.4	40.1	41.3	12.3	23
206 (SCU)	1-1/8	2.48	1-25/64	6-1/4	1-1/4	4-17/64	5	1/2	15/16	19/32	3-3/16	1-37/64	1-11/16	31/64	29/32
	1-3/16	2.44													
	1-1/4	2.39													
	30mm	1.11	35.3	158.8	31.8	108.3	127	M12	23.8	15.1	81	40.1	42.9	12.3	23

FEATURES/BENEFITS PAGE B1-2	SELECTION PAGE B1-5	INTERCHANGE PAGE B1-88	ACCESSORIES PAGE B1-90
--------------------------------	------------------------	---------------------------	---------------------------

SELECTIONS/DIMENSIONS



E-Z KLEEN Mounted Bearings SCEZ NORMAL DUTY STAINLESS STEEL HOUSED PILLOW BLOCKS

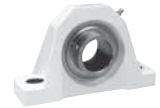


Series	Shaft Size	With Corrosion Resistant Insert		Standard Insert with Flingers	
		Part No.	Description	Part No.	Description
207	1-1/4	127676	P2B-SCEZ-104-SHCR	059798	P2B-SCEZ-104-SH
	1-3/8	@	P2B-SCEZ-106-SHCR*	056525	P2B-SCEZ-106-SH
	1-7/16	127677	P2B-SCEZ-107-SHCR	059799	P2B-SCEZ-107-SH
	35mm	127700	P2B-SCEZ-35M-SHCR	@	P2B-SCEZ-35M-SH
208	1-1/2	127678	P2B-SCEZ-108-SHCR	056565	P2B-SCEZ-108-SH
	1-5/8	@	P2B-SCEZ-110-SHCR*	062874	P2B-SCEZ-110-SH
	40mm	@	P2B-SCEZ-40M-SHCR	@	P2B-SCEZ-40M-SH
208 (SCB)	1-1/2	127679	P2B-SCBEZ-108-SHCR	@	P2B-SCBEZ-108-SH
	40mm	127701	P2B-SCBEZ-40M-SHCR	@	P2B-SCBEZ-40M-SH
210	1-11/16	@	P2B-SCMEZ-111-SHCR	@	P2B-SCMEZ-111-SH
	1-15/16	127680	P2B-SCEZ-115-SHCR	056800	P2B-SCEZ-115-SH
	2	@	P2B-SCEZ-200-SHCR	062879	P2B-SCEZ-200-SH
	50mm	127702	P2B-SCEZ-50M-SHCR	@	P2B-SCEZ-50M-SH

@ Assembled to order
*20 piece minimum

FEATURES/BENEFITS PAGE B1-2	SELECTION PAGE B1-5	INTERCHANGE PAGE B1-88	ACCESSORIES PAGE B1-90
--------------------------------	------------------------	---------------------------	---------------------------

SELECTION/DIMENSIONS



E-Z KLEEN Mounted Bearings SCEZ NORMAL DUTY STAINLESS STEEL HOUSED PILLOW BLOCKS

Bearing Quick Reference

E-Z KLEEN

GRIP TIGHT Adapter Ball Bearing

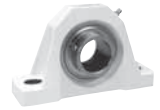
Set Screw Ball Bearing

Eccentric Collar Ball Bearing

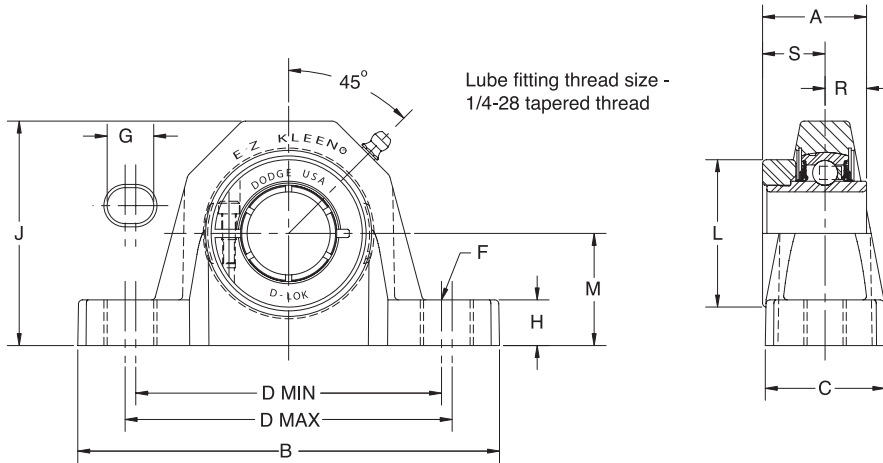
Size	Shaft Series	Weight lbs kg	A	B	C	D		F Bolt Dia.	G	H	J	L	M	R	S
						min.	max.								
207	1-1/4	3.36	1-17/32	6-1/2	1-3/8	4-11/16	5-7/16	1/2	15/16	9/16	3-5/8	1-27/32	1-7/8	1/2	1-1/32
	1-3/8	3.25													
	1-7/16	3.19													
	35mm	1.47	38.9	165.1	34.9	119.1	138.1	M12	23.8	14.3	92.1	46.8	47.6	12.7	26.2
208	1-1/2	4.39	1-11/16	7	1-1/2	5-3/16	6	1/2	31/32	3/4	4	2-3/64	2-1/8	19/32	1-3/32
	1-5/8														
	40mm	1.95	42.9	177.8	38.1	131.8	152.4	M12	24.6	19.1	101.6	52	54	15.1	27.8
208 (SCB)	1-1/2	3.93	1-11/16	7	1-1/2	5-3/16	6	1/2	31/32	9/16	3-13/16	2-3/64	1-15/16	19/32	1-3/32
	40mm	1.74	42.9	177.8	38.1	131.8	152.4	M12	24.6	14.3	96.8	52	49.2	15.1	27.8
210	1-11/16	5.14	1-3/4	8	1-5/8	5-49/64	6-11/16	5/8	1-9/64	5/8	4-5/16	2-7/16	2-1/4	19/32	1-5/32
	1-15/16	5.09													
	50mm	2.29	44.6	203.2	41.3	146.4	169.9	M16	29	15.9	109.5	61.9	57.2	15.1	29.4

FEATURES/BENEFITS PAGE B1-2	SELECTION PAGE B1-5	INTERCHANGE PAGE B1-88	ACCESSORIES PAGE B1-90
--------------------------------	------------------------	---------------------------	---------------------------

SELECTIONS/DIMENSIONS



E-Z KLEEN Mounted Bearings DLEZ NORMAL DUTY POLYMER HOUSED PILLOW BLOCKS



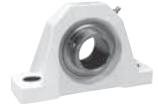
Series	Shaft Size	With Corrosion Resistant Insert		Standard Insert With Flingers	
		Part No.	Description	Part No.	Description
204	3/4	127578	P2B-DLEZ-012-PCR	@	P2B-DLEZ-012-P
	20 mm	127623	P2B-DLEZ-20M-PCR	@	P2B-DLEZ-20M-P
205	7/8	@	P2B-DLEZ-014-PCR*	@	P2B-DLEZ-014-P
	15/16	@	P2B-DLEZ-015-PCR*	@	P2B-DLEZ-015-P
	1	127579	P2B-DLEZ-100-PCR	@	P2B-DLEZ-100-P
	25 mm	127624	P2B-DLEZ-25M-PCR	@	P2B-DLEZ-25M-P
206 (DLU)	1-1/8	@	P2B-DLUEZ-102-PCR*	@	P2B-DLUEZ-102-P
	1-3/16	127580	P2B-DLUEZ-103-PCR	@	P2B-DLUEZ-103-P
	1-1/4	127581	P2B-DLUEZ-104S-PCR	@	P2B-DLUEZ-104S-P
	30 mm	127625	P2B-DLUEZ-30M-PCR	@	P2B-DLUEZ-30M-P
207	1-1/4	127582	P2B-DLEZ-104-PCR	@	P2B-DLEZ-104-P
	1-3/8	@	P2B-DLEZ-106-PCR*	@	P2B-DLEZ-106-P
	1-7/16	127583	P2B-DLEZ-107-PCR	@	P2B-DLEZ-107-P
	35 mm	127626	P2B-DLEZ-35M-PCR	@	P2B-DLEZ-35M-P
208 (DLB)	1-1/2	127584	P2B-DLBEZ-108-PCR	@	P2B-DLBEZ-108-P
	40 mm	127627	P2B-DLBEZ-40M-PCR	@	P2B-DLBEZ-40M-P
209	1-5/8	057442	P2B-DLEZ-110L-PCR*	@	P2B-DLEZ-110L-P
	1-11/16	127585	P2B-DLEZ-111-PCR	@	P2B-DLEZ-111-P
	1-3/4	062875	P2B-DLEZ-112-PCR*	@	P2B-DLEZ-112-P
	45 mm	127628	P2B-DLEZ-45M-PCR	@	P2B-DLEZ-45M-P
210	1-15/16	127586	P2B-DLEZ-115-PCR	@	P2B-DLEZ-115-P
	2	058516	P2B-DLEZ-200-PCR	@	P2B-DLEZ-200-P
	50 mm	127629	P2B-DLEZ-50M-PCR	@	P2B-DLEZ-50M-P

@ Assembled to order

* 20 piece minimum

FEATURES/BENEFITS PAGE B1-2	SELECTION PAGE B1-5	INTERCHANGE PAGE B1-88	ACCESSORIES PAGE B1-90
--------------------------------	------------------------	---------------------------	---------------------------

SELECTION/DIMENSIONS



E-Z KLEEN Mounted Bearings DLEZ NORMAL DUTY POLYMER HOUSED PILLOW BLOCKS

Bearing Quick Reference

E-Z KLEEN

GRIP TIGHT Adapter Ball Bearing

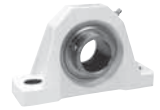
Set Screw Ball Bearing

Eccentric Collar Ball Bearing

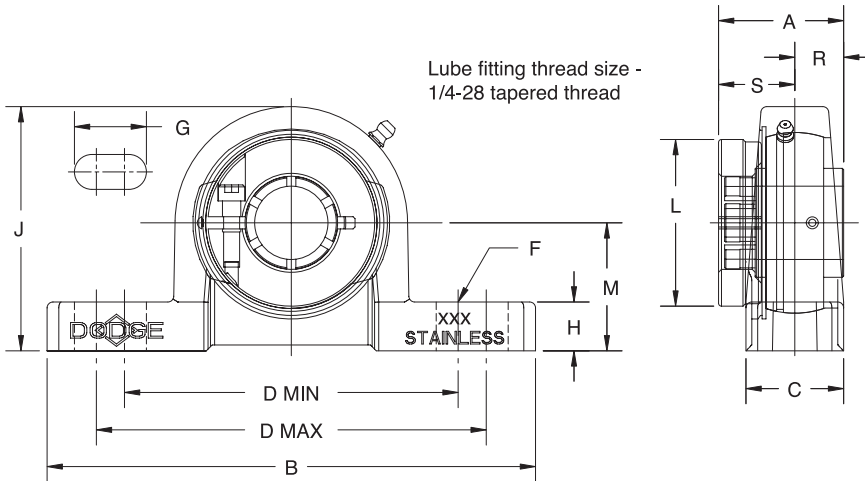
Size	Shaft Series	Weight lbs kg	A	B	C	D		F Bolt Dia.	G	H	J	L	M	R	S
						min.	max.								
204	3/4	0.92	1-9/32	5-1/32	1-31/64	3-43/64	3-59/64	3/8	19/32	39/64	2-5/8	1-45/64	1-5/16	1/2	25/32
	20 mm	0.42	32.5	127.8	37.7	93.3	99.6	M10	15.1	15.5	66.7	43.3	33.3	12.7	19.8
205	7/8	1.32	1-7/16	5-1/2	1-31/64	3-31/32	4-13/64	3/8	19/32	39/64	2-55/64	2	1-7/16	9/16	7/8
	15/16	1.22													
	1	1.12													
	25 mm	0.51	36.5	139.7	37.7	100.8	106.8	M10	15.1	15.5	72.6	50.8	36.5	14.3	22.2
206 (DLU)	1-1/8	1.83	1-9/16	6-5/16	1-25/32	4-39/64	4-57/64	1/2	23/32	45/64	3-11/32	2-7/32	1-11/16	5/8	15/16
	1-3/16	1.73													
	1-1/4	1.63													
	30 mm	0.79	39.7	160.3	45.2	116.9	124.2	M12	18.3	17.9	84.9	56.4	42.9	15.9	23.8
207	1-1/4	2.46	1-3/4	6-35/64	1-7/8	4-13/16	5-1/8	1/2	23/32	23/32	3-57/64	2-11/16	1-7/8	11/16	1-1/16
	1-3/8	2.41													
	1-7/16	2.36													
	35 mm	1.13	44.5	166.3	47.8	122.2	130.2	M12	18.3	18.3	98.8	68.3	47.6	17.5	27.0
208 (DLB)	1-1/2	3.01	2	7-13/64	2-7/64	5-7/64	5-41/64	1/2	7/8	49/64	4-11/64	2-47/64	1-15/16	3/4	1-1/4
	40 mm	1.39	50.8	183.0	53.6	129.6	143.3	M12	22.2	19.4	106	69.5	49.2	19.1	31.8
209	1-5/8	3.51	2	7-13/64	2-7/64	5-27/64	5-31/32	1/2	7/8	27/32	4-5/16	2-63/64	2-1/8	3/4	1-1/4
	1-11/16	3.41													
	1-3/4	3.31													
	45 mm	1.56	50.8	183.0	53.6	137.7	151.6	M12	22.2	21.4	109.5	75.8	54	19.1	31.8
210	1-15/16	4.17	2-3/32	8-1/16	2-23/64	6	6-9/16	5/8	1	59/64	4-9/16	3-15/64	2-1/4	3/4	1-11/32
	2	4.07													
	50 mm	1.68	53.2	204.8	59.9	152.4	166.7	M16	25.4	23.4	115.9	82.2	57.2	19.1	34.1

FEATURES/BENEFITS PAGE B1-2	SELECTION PAGE B1-5	INTERCHANGE PAGE B1-88	ACCESSORIES PAGE B1-90
--------------------------------	------------------------	---------------------------	---------------------------

SELECTIONS/DIMENSIONS



E-Z KLEEN Mounted Bearings DLEZ NORMAL DUTY STAINLESS STEEL HOUSED PILLOW BLOCKS

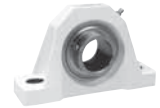


Series	Shaft Size	Part No.	Description
204	3/4	127715	P2B-DLEZ-012-SHCR
	20mm	127739	P2B-DLEZ-20M-SHCR
205	7/8	@	P2B-DLEZ-014-SHCR*
	15/16	@	P2B-DLEZ-015-SHCR*
	1	127716	P2B-DLEZ-100-SHCR
	25mm	127740	P2B-DLEZ-25M-SHCR
206	1-1/8	@	P2B-DLEZ-102-SHCR*
	1-3/16	127717	P2B-DLEZ-103-SHCR
	1-1/4	127718	P2B-DLEZ-104S-SHCR
	30mm	127741	P2B-DLEZ-30M-SHCR
206 (DLU)	1-1/8	@	P2B-DLUEZ-102-SHCR*
	1-3/16	@	P2B-DLUEZ-103-SHCR
	1-1/4	@	P2B-DLUEZ-104S-SHCR
	30mm	@	P2B-DLUEZ-30M-SHCR
207	1-1/4	127719	P2B-DLEZ-104-SHCR
	1-3/8	@	P2B-DLEZ-106-SHCR*
	1-7/16	127720	P2B-DLEZ-107-SHCR
208	35mm	127742	P2B-DLEZ-35M-SHCR
	1-1/2	127721	P2B-DLEZ-108-SHCR
208 (DLB)	40mm	127743	P2B-DLEZ-40M-SHCR
	1-1/2	049469	P2B-DLBEZ-108-SHCR
210	40mm	@	P2B-DLBEZ-40M-SHCR
	1-11/16	@	P2B-DLMEZ-111-SHCR*
	1-15/16	127722	P2B-DLEZ-115-SHCR
	50mm	127744	P2B-DLEZ-50M-SHCR

@ Assembled to order *20 piece minimum

FEATURES/BENEFITS PAGE B1-2	SELECTION PAGE B1-5	INTERCHANGE PAGE B1-88	ACCESSORIES PAGE B1-90
--------------------------------	------------------------	---------------------------	---------------------------

SELECTION/DIMENSIONS

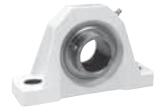


E-Z KLEEN Mounted Bearings DLEZ NORMAL DUTY STAINLESS STEEL HOUSED PILLOW BLOCKS

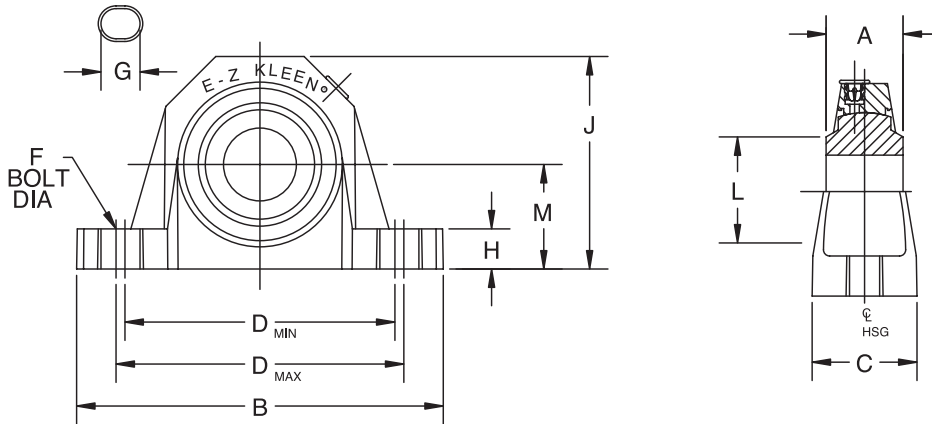
Size	Shaft Series	Weight lbs kg	A	B	C	D		F Bolt Dia.	G	H	J	L	M	R	S
						min.	max.								
204	3/4	1.46	1-9/32	5	1	3-3/8	4-3/16	3/8	27/32	1/2	2-1/2	1-45/64	1-5/16	1/2	25/32
	20mm	0.65	32.5	127.0	25.4	85.7	106.4	M10	21.4	12.7	63.5	43.3	33.3	12.7	19.8
205	7/8	1.92	1-7/16	5-1/2	1-1/8	3-11/16	4-1/2	3/8	27/32	17/32	2-23/32	2	1-7/16	9/16	7/8
	15/16	1.87													
	1	1.82													
206	25mm	0.83	36.5	139.7	28.6	93.7	114.3	M10	21.4	13.5	69.1	50.8	36.5	14.3	22.2
	1-1/8	2.60	1-9/16	6-1/4	1-1/4	4-17/64	5	1/2	15/16	17/32	3-1/8	117/64	1-5/8	5/8	15/16
	1-3/16	2.55													
206 (DLU)	1-1/4	2.50													
	30mm	1.18	39.7	158.8	31.8	108.3	127	M12	23.8	13.5	79.4	56.4	41.3	15.9	23.8
	1-1/8	2.65	1-9/16	6-1/4	1-1/4	4-17/64	5	1/2	15/16	19/32	3-3/16	2-7/32	1-11/16	5/8	15/16
207	1-3/16	2.60													
	1-1/4	2.55													
	30mm	1.18	39.7	158.8	31.8	108.3	127	M12	23.8	15.1	81	56.4	42.9	15.9	23.8
208	1-1/4	3.83	1-3/4	6-1/2	1-3/8	4-11/16	5-7/16	1/2	15/16	9/16	3-5/8	2-11/16	1-7/8	11/16	1-1/16
	1-3/8	3.74													
	1-7/16	3.66													
208 (DLB)	35mm	1.75	44.5	165.1	34.9	119.1	138.1	M12	23.8	14.3	92.1	68.3	47.6	17.5	27
	1-1/2	4.90	2	7	1-1/2	5-3/16	6	1/2	31/32	3/4	4	2-47/64	2-1/8	3/4	1-1/4
	40mm	2.22	50.8	177.8	38.1	131.8	152.4	M12	24.6	19.1	101.6	69.5	54	19.1	31.8
208 (DLB)	1-1/2	4.85	2	7	1-1/2	5-3/16	6	1/2	31/32	9/16	3-13/16	2-47/64	1-15/16	3/4	1-1/4
	40mm	2.22	50.8	177.8	38.1	131.8	152.4	M12	24.6	14.3	96.8	69.5	49.2	19.1	31.8
	1-11/16	6.14	2-3/32	8	1-5/8	5-49/64	6-11/16	5/8	1-9/64	5/8	4-5/16	3-15/64	2-1/4	3/4	1-11/32
210	1-15/16	5.77													
	50mm	2.62	53.2	203.2	41.3	146.4	169.9	M16	29	15.9	109.5	82.2	57.2	19.1	34.1

FEATURES/BENEFITS PAGE B1-2	SELECTION PAGE B1-5	INTERCHANGE PAGE B1-88	ACCESSORIES PAGE B1-90
--------------------------------	------------------------	---------------------------	---------------------------

SELECTIONS/DIMENSIONS



E-Z KLEEN Mounted Bearings PSEZ POLYMER SLEEVE, POLYMER HOUSED PILLOW BLOCKS



Series	Shaft Size	Part No.	Description
204	3/4	034700	P2B-PSEZ-012-P
	20mm	034748	P2B-PSEZ-20M-P
205	1	034701	P2B-PSEZ-100-P
	25mm	034749	P2B-PSEZ-25M-P
206 (PSU)	1-3/16	034702	P2B-PSUEZ-103-P
	1-1/4	034703	P2B-PSUEZ-104S-P
	30mm	034750	P2B-PSUEZ-30M-P
207	1-1/4	034704	P2B-PSEZ-104-P
	1-7/16	034705	P2B-PSEZ-107-P
	35mm	034751	P2B-PSEZ-35M-P
208 (PSB)	1-1/2	034706	P2B-PSBEZ-108-P
	40mm	034752	P2B-PSBEZ-40M-P
210	1-15/16	034709	P2B-PSEZ-115-P
	50mm	034754	P2B-PSEZ-50M-P

FEATURES/BENEFITS
PAGE B1-2

SELECTION
PAGE B1-5

INTERCHANGE
PAGE B1-88

ACCESSORIES
PAGE B1-90

SELECTION/DIMENSIONS



E-Z KLEEN Mounted Bearings PSEZ POLYMER SLEEVE, POLYMER HOUSED PILLOW BLOCKS

Bearing Quick Reference

E-Z KLEEN

GRIP TIGHT Adapter Ball Bearing

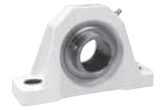
Set Screw Ball Bearing

Eccentric Collar Ball Bearing

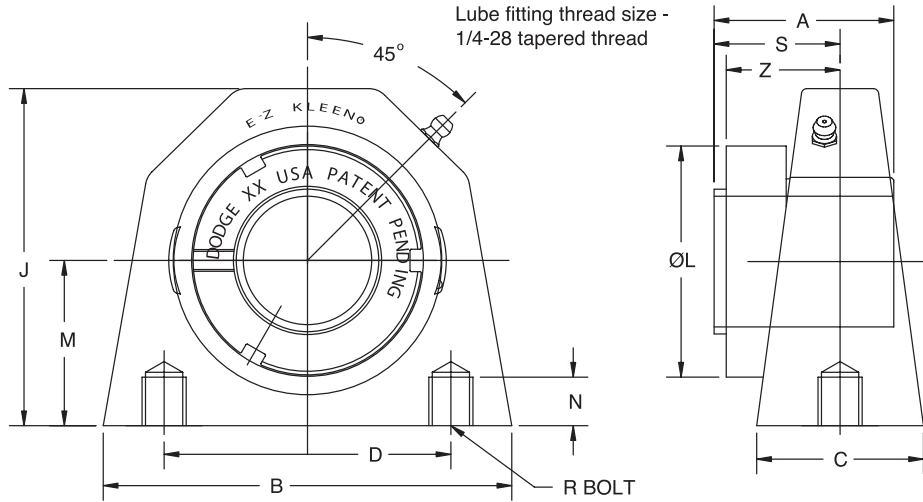
Series	Shaft Size	Weight lb. kg	A	B	C	D		F Bolt Dia	G	H	J	L	M
						Min	Max						
204	3/4	0.57	1	5-1/32	1-31/64	3-31/64	3-59/64	3/8	19/32	39/64	2-5/8	1-5/16	1-5/16
	20mm	0.26	25.4	127.8	37.7	93.3	99.6	M10	15.1	15.5	66.7	33.3	33.3
205	1	0.57	1-1/16	5-1/2	1-31/64	3-31/32	4-13/64	3/8	19/32	39/64	2-55/64	1-7/16	1-7/16
	25mm	0.26	27.0	139.7	37.7	100.8	106.8	M10	15.1	15.5	72.6	36.5	36.5
206 (PSU)	1-3/16	0.89	1-3/16	6-5/16	1-25/32	4-39/64	4-57/64	1/2	23/32	45/64	3-11/32	1-11/16	1-11/16
	1-1/4 30mm	0.88 0.4	30.2	160.3	45.2	116.9	124.2	M12	18.3	17.9	84.9	42.9	42.9
207	1-1/4	1.06	1-5/16	6-35/64	1-7/8	4-13/16	5-1/8	1/2	23/32	23/32	3-57/64	2	1-7/8
	1-7/16 35mm	1.01 0.48	33.3	166.3	47.8	122.2	130.2	M12	18.3	18.3	98.8	50.8	47.6
208 (PSB)	1-1/2	1.27	1-1/2	7-13/64	2-7/64	5-7/64	5-41/64	1/2	7/8	49/64	4-11/64	2	1-15/16
	40mm	0.58	38.1	183.0	53.6	129.6	143.3	M12	22.2	19.4	106.0	50.8	49.2
210	1-15/16	1.67	1-5/8	8-1/16	2-23/64	6	6-9/16	5/8	1.00	59/64	4-9/16	2-9/16	2-1/4
	50mm	0.76	41.3	204.8	59.9	152.4	166.7	M16	25.4	23.4	115.9	65.1	57.2

FEATURES/BENEFITS PAGE B1-2	SELECTION PAGE B1-5	INTERCHANGE PAGE B1-88	ACCESSORIES PAGE B1-90
--------------------------------	------------------------	---------------------------	---------------------------

SELECTIONS/DIMENSIONS



E-Z KLEEN Mounted Bearings GTEZ NORMAL DUTY POLYMER HOUSED TAPPED BASE PILLOW BLOCKS



Series	Shaft Size	Complete Unit		Unit Without Adapter		Adapter & Nut Assembly	
		Part No.	Description	Part No.	Description	Part No.	Description
204	3/4 20mm	129291	TB-GTEZ-012-PCR	129537	TB-GTEZ-04-PCR	129967	AN-GT-04-012-CR
		129292	TB-GTEZ-20M-PCR	129988	TB-GTEZ-04M-PCR	129980	AN-GT-04-20M-CR
205	1 25mm	129293	TB-GTEZ-100-PCR	129538	TB-GTEZ-05-PCR	129968	AN-GT-05-100-CR
		129294	TB-GTEZ-25M-PCR	129989	TB-GTEZ-05M-PCR	129981	AN-GT-05-25M-CR
206	1 -1/8 1 -3/16 1 -1/4 30mm	@	TB-GTEZ-102-PCR	129539	TB-GTEZ-06-PCR	129969	AN-GT-06-102-CR
		129295	TB-GTEZ-103-PCR			129970	AN-GT-06-103-CR
		129296	TB-GTEZ-104S-PCR			129971	AN-GT-06-104S-CR
		129297	TB-GTEZ-30M-PCR			129990	TB-GTEZ-06M-PCR
207	1 -1/4 1 -3/8 1 -7/16 35mm	129298	TB-GTEZ-104-PCR	129540	TB-GTEZ-07-PCR	129972	AN-GT-07-104-CR
		@	TB-GTEZ-106-PCR			129973	AN-GT-07-106-CR
		129299	TB-GTEZ-107-PCR			129974	AN-GT-07-107-CR
		129300	TB-GTEZ-35M-PCR			129991	TB-GTEZ-07M-PCR

@ Assembled to order

FEATURES/BENEFITS PAGE B1-2	SELECTION PAGE B1-5	INTERCHANGE PAGE B1-88	ACCESSORIES PAGE B1-90
--------------------------------	------------------------	---------------------------	---------------------------

SELECTION/DIMENSIONS



E-Z KLEEN Mounted Bearings

GTEZ NORMAL DUTY POLYMER HOUSED TAPPED BASE PILLOW BLOCKS

Bearing Quick Reference

E-Z KLEEN

GRIP TIGHT Adapter Ball Bearing

Set Screw Ball Bearing

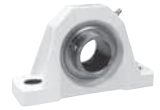
Eccentric Collar Ball Bearing

Series	Shaft Size	Weight Lbs kg	A	B	C	D	J	L	M	N Thread Depth	R Bolt Hole Threads	S#	Z
204	3/4	0.88	1-15/32	3-1/4	1-31/64	2	2-21/32	1-1/2	1-5/16	13/32	3/8-16	63/64	1-3/64
	20 mm	0.41	37.3	82.6	37.7	50.8	67.6	38.1	33.3	10.2	M10x1.5	25.0	26.7
205	1	1.01	1-29/64	3-1/4	1-1/2	2	2-57/64	1-51/64	1-7/16	13/32	3/8-16	61/64	1-1/64
	25 mm	0.47	36.9	82.6	37.7	50.8	73.3	45.6	36.5	10.2	M10x1.5	24.2	25.9
206	1-1/8	1.79	1-39/64	4-3/8	1-37/64	3	3-3/8	2-5/64	1-11/16	29/64	7/16-14	1-5/64	1-1/8
	1-3/16	1.69											
	1-1/4	1.59											
	30 mm	0.77	40.9	111.1	40.1	76.2	85.9	52.8	42.9	11.4	M10x1.5	27.4	28.7
207	1-1/4	2.62	1-5/8	4-5/8	1-57/64	3-1/4	3-13/16	2-3/8	1-7/8	35/64	1/2-13	1-1/16	1-9/64
	1-3/8	2.42											
	1-7/16	2.32											
	35 mm	1.11	41.3	117.5	48.0	82.6	97.2	60.3	47.6	14.0	M12x1.75	27.0	29.1

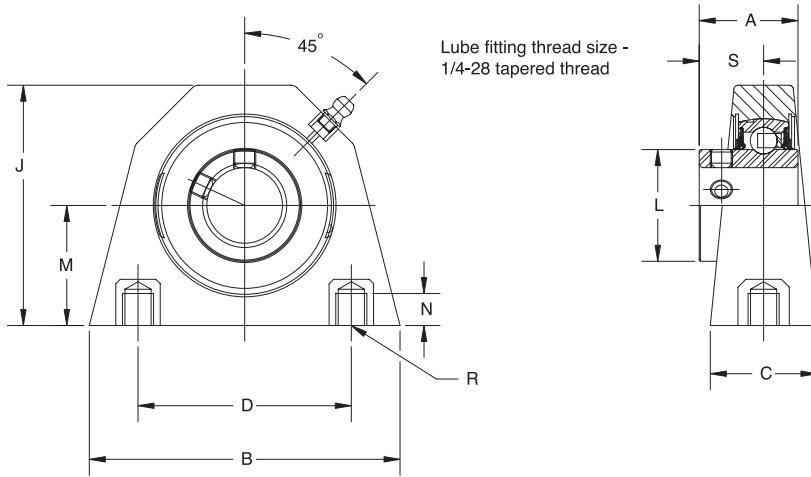
#S dimension will vary slightly depending on true shaft diameter

FEATURES/BENEFITS PAGE B1-2	SELECTION PAGE B1-5	INTERCHANGE PAGE B1-88	ACCESSORIES PAGE B1-90
--------------------------------	------------------------	---------------------------	---------------------------

SELECTIONS/DIMENSIONS



E-Z KLEEN Mounted Bearings SCEZ NORMAL DUTY POLYMER HOUSED TAPPED BASE PILLOW BLOCKS

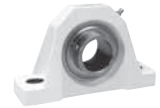


Series	Shaft Size	With Corrosion Resistant Insert		Standard Insert With Flingers	
		Part No.	Description	Part No.	Description
204	1/2	@	TB-SCEZ-008L-PCR*	@	TB-SCEZ-008L-P
	5/8	@	TB-SCEZ-010L-PCR*	@	TB-SCEZ-010L-P
	3/4	127509	TB-SCEZ-012-PCR	@	TB-SCEZ-012-P
	20 mm	127552	TB-SCEZ-20M-PCR	@	TB-SCEZ-20M-P
205	7/8	@	TB-SCEZ-014-PCR*	@	TB-SCEZ-014-P
	15/16	@	TB-SCEZ-015-PCR*	@	TB-SCEZ-015-P
	1	127510	TB-SCEZ-100-PCR	@	TB-SCEZ-100-P
	25 mm	127553	TB-SCEZ-25M-PCR	@	TB-SCEZ-25M-P
206	1-1/8	@	TB-SCEZ-102-PCR*	@	TB-SCEZ-102-P
	1-3/16	127511	TB-SCEZ-103-PCR	@	TB-SCEZ-103-P
	1-1/4	127512	TB-SCEZ-104S-PCR	058632	TB-SCEZ-104S-P
	30 mm	127554	TB-SCEZ-30M-PCR	@	TB-SCEZ-30M-P
207	1-1/4	127513	TB-SCEZ-104-PCR	@	TB-SCEZ-104-P
	1-5/16	@	TB-SCEZ-105-PCR*	@	TB-SCEZ-105-P
	1-3/8	056577	TB-SCEZ-106-PCR*	@	TB-SCEZ-106-P
	1-7/16	127514	TB-SCEZ-107-PCR	@	TB-SCEZ-107-P
	35 mm	127555	TB-SCEZ-35M-PCR	@	TB-SCEZ-35M-P

@ Assembled to order
*20 piece minimum

FEATURES/BENEFITS PAGE B1-2	SELECTION PAGE B1-5	INTERCHANGE PAGE B1-88	ACCESSORIES PAGE B1-90
--------------------------------	------------------------	---------------------------	---------------------------

SELECTION/DIMENSIONS



E-Z KLEEN Mounted Bearings SCEZ NORMAL DUTY POLYMER HOUSED TAPPED BASE PILLOW BLOCKS

Bearing Quick Reference

E-Z KLEEN

GRIP TIGHT Adapter Ball Bearing

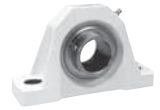
Set Screw Ball Bearing

Eccentric Collar Ball Bearing

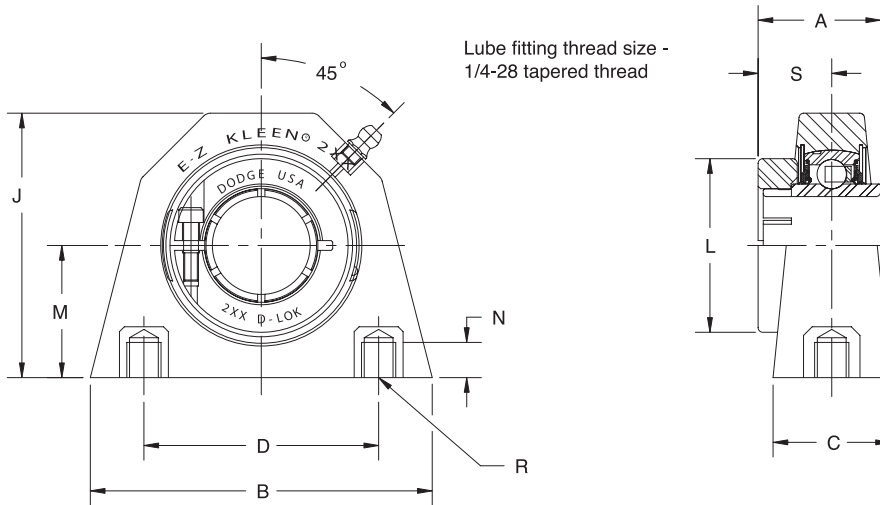
Series	Shaft Size	Weight lbs kg	A	B	C	D	J	L	M	N Thread Depth	R Bolt Hole Threads	S
204	1/2	0.74	1-5/32	3-1/4	1-31/64	2	2-21/32	1-1/8	1-5/16	13/32	3/8-16	47/64
	5/8	0.66										
	3/4	0.60										
	20 mm	0.29	29.4	82.6	37.7	50.8	67.6	28.6	33.3	10.2	M10x1.5	18.7
205	7/8	0.72	1-3/16	3-1/4	1-1/2	2	2-57/64	1-21/64	1-7/16	13/32	3/8-16	49/64
	15/16	0.64										
	1	0.58										
	25 mm	0.28	30.2	82.6	38.1	50.8	73.3	33.7	36.5	10.2	M10x1.5	19.4
206	1-1/8	1.16	1-25/64	4-3/8	1-37/64	3	3-3/8	1-37/64	1-11/16	29/64	7/16-14	29/32
	1-3/16	1.09										
	1-1/4	1.07										
	30 mm	0.49	35.3	111.1	40.1	76.2	85.9	40.1	42.9	11.4	M10x1.5	23.0
207	1-1/4	1.64	1-17/32	4-5/8	1-57/64	3-1/4	3-13/16	1-27/32	1-7/8	35/64	1/2-13	1-1/32
	1-5/16	1.58										
	1-3/8	1.53										
	35 mm	0.72	38.9	117.5	48.0	82.6	97.2	46.8	47.6	14.0	M12x1.75	26.2

FEATURES/BENEFITS PAGE B1-2	SELECTION PAGE B1-5	INTERCHANGE PAGE B1-88	ACCESSORIES PAGE B1-90
--------------------------------	------------------------	---------------------------	---------------------------

SELECTIONS/DIMENSIONS



E-Z KLEEN Mounted Bearings DLEZ NORMAL DUTY POLYMER HOUSED TAPPED BASE PILLOW BLOCKS



Series	Shaft Size	With Corrosion Resistant Insert		Standard Insert With Flingers	
		Part No.	Description	Part No.	Description
204	3/4	127587	TB-DLEZ-012-PCR	@	TB-DLEZ-012-P
	20 mm	127630	TB-DLEZ-20M-PCR	@	TB-DLEZ-20M-P
205	7/8	@	TB-DLEZ-014-PCR*	@	TB-DLEZ-014-P
	15/16	@	TB-DLEZ-015-PCR*	@	TB-DLEZ-015-P
	1	127588	TB-DLEZ-100-PCR	@	TB-DLEZ-100-P
	25 mm	127631	TB-DLEZ-25M-PCR	@	TB-DLEZ-25M-P
206	1-1/8	@	TB-DLEZ-102-PCR*	@	TB-DLEZ-102-P
	1-3/16	127589	TB-DLEZ-103-PCR	@	TB-DLEZ-103-P
	1-1/4	127590	TB-DLEZ-104S-PCR	@	TB-DLEZ-104S-P
	30 mm	127632	TB-DLEZ-30M-PCR	@	TB-DLEZ-30M-P
207	1-1/4	127591	TB-DLEZ-104-PCR	@	TB-DLEZ-104-P
	1-3/8	@	TB-DLEZ-106-PCR*	@	TB-DLEZ-106-P
	1-7/16	127592	TB-DLEZ-107-PCR	@	TB-DLEZ-107-P
	35 mm	127633	TB-DLEZ-35M-PCR	@	TB-DLEZ-35M-P

@ Assembled to order
*20 piece minimum

FEATURES/BENEFITS PAGE B1-2	SELECTION PAGE B1-5	INTERCHANGE PAGE B1-88	ACCESSORIES PAGE B1-90
--------------------------------	------------------------	---------------------------	---------------------------

SELECTION/DIMENSIONS



E-Z KLEEN Mounted Bearings DLEZ NORMAL DUTY POLYMER HOUSED TAPPED BASE PILLOW BLOCKS

Bearing Quick Reference

E-Z KLEEN

GRIP TIGHT Adapter Ball Bearing

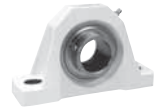
Set Screw Ball Bearing

Eccentric Collar Ball Bearing

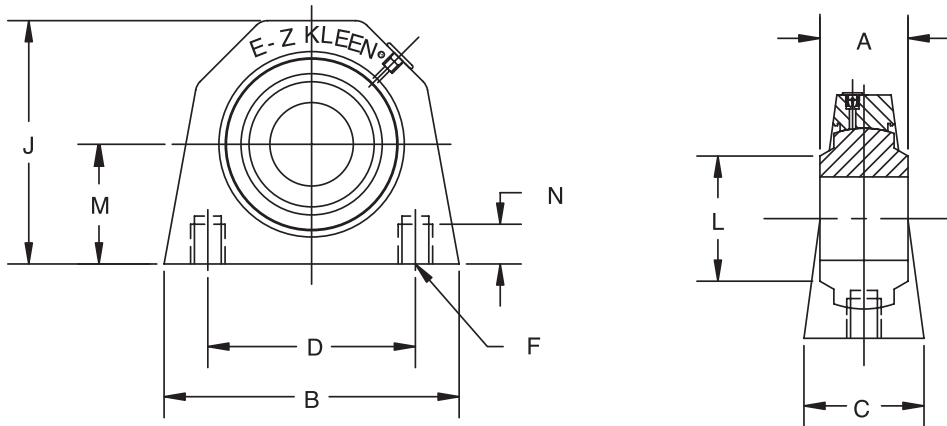
Series	Shaft Size	Weight lbs kg	A	B	C	D	J	L	M	N Thread Depth	R Bolt Hole Threads	S
204	3/4 20 mm	0.88 0.41	1-9/32 32.5	3-1/4 82.6	1-31/64 37.7	2 50.8	2-21/32 67.6	1-45/64 43.3	1-5/16 33.3	13/32 10.2	3/8-16 M10x1.5	25/32 19.8
	7/8 15/16 1 25 mm	1.12 1.11 1.01 0.47	1-7/16 36.5	3-1/4 82.6	1-1/2 38.1	2 50.8	2-57/64 73.3	2 50.8	1-7/16 36.5	13/32 10.2	3/8-16 M10x1.5	7/8 22.2
206	1-1/8 1-3/16	1.79 1.69	1-9/16	4-3/8	1-37/64	3	3-3/8	2-7/32	1-11/16	29/64	7/16-14	15/16
	1-1/4 30 mm	1.59 0.77	39.7	111.1	40.1	76.2	85.9	56.4	42.9	11.4	M10x1.5	23.8
	1-1/4 1-3/8 1-7/16 35 mm	2.62 2.42 2.32 1.11	1-3/4 44.5	4-5/8 117.5	1-57/64 48.0	3-1/4 82.6	3-13/16 97.2	2-11/16 68.3	1-7/8 47.6	35/64 14.0	1/2-13 M12x1.75	1-1/16 27.0

FEATURES/BENEFITS PAGE B1-2	SELECTION PAGE B1-5	INTERCHANGE PAGE B1-88	ACCESSORIES PAGE B1-90
--------------------------------	------------------------	---------------------------	---------------------------

SELECTIONS/DIMENSIONS



E-Z KLEEN Mounted Bearings PSEZ POLYMER SLEEVE POLYMER HOUSED TAPPED BASE PILLOW BLOCKS

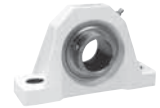


Series	Shaft Size	Part No.	Description
204	3/4	034710	TB-PSEZ-012-P
	20mm	034755	TB-PSEZ-20M-P*
205	1	034711	TB-PSEZ-100-P
	25mm	034756	TB-PSEZ-25M-P*
206	1-3/16	034712	TB-PSEZ-103-P
	1-1/4	034713	TB-PSEZ-104S-P
	30mm	034757	TB-PSEZ-30M-P*
207	1-1/4	034714	TB-PSEZ-104-P
	1-7/16	034715	TB-PSEZ-107-P
	35mm	034758	TB-PSEZ-35M-P*

* Made to Order

FEATURES/BENEFITS PAGE B1-2	SELECTION PAGE B1-5	INTERCHANGE PAGE B1-88	ACCESSORIES PAGE B1-90
--------------------------------	------------------------	---------------------------	---------------------------

SELECTION/DIMENSIONS



E-Z KLEEN Mounted Bearings PSEZ POLYMER SLEEVE POLYMER HOUSED TAPPED BASE PILLOW BLOCKS

Bearing Quick Reference

E-Z KLEEN

GRIP TIGHT Adapter Ball Bearing

Set Screw Ball Bearing

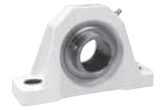
Eccentric Collar Ball Bearing

Series	Shaft Size	Weight lbs kg	A	B	C	D	J	L	M	N Thread Depth	R Bolt Hole Threads
204	3/4 20mm	0.53 0.24	1 25.4	3-1/4 82.6	1-31/64 37.7	2 50.8	2-21/32 67.6	1-5/16 33.3	1-5/16 33.3	13/32 10.2	3/8-16 M10x1.5
205	1 25mm	0.46 0.21	1-1/16 27.0	3-1/4 82.6	1-1/2 38.1	2 50.8	2-57/64 73.3	1-7/16 36.5	1-7/16 36.5	13/32 10.2	3/8-16 M10x1.5
206	1-3/16 1-1/4 30mm	0.85 0.84 0.39	1-3/16 30.2	4-3/8 111.1	1-37/64 40.1	3 76.2	3-3/8 85.9	1-11/16 42.9	1-11/16 42.9	29/64 11.4	7/16-14 M10x1.5
207	1-1/4 1-7/16 35mm	1.02 0.97 0.46	1-5/16 33.3	4-5/8 117.5	1-57/64 48	3-1/4 82.6	3-13/16 96.8	2 50.8	1-7/8 47.6	35/64 14.0	1/2-13 M12x1.75

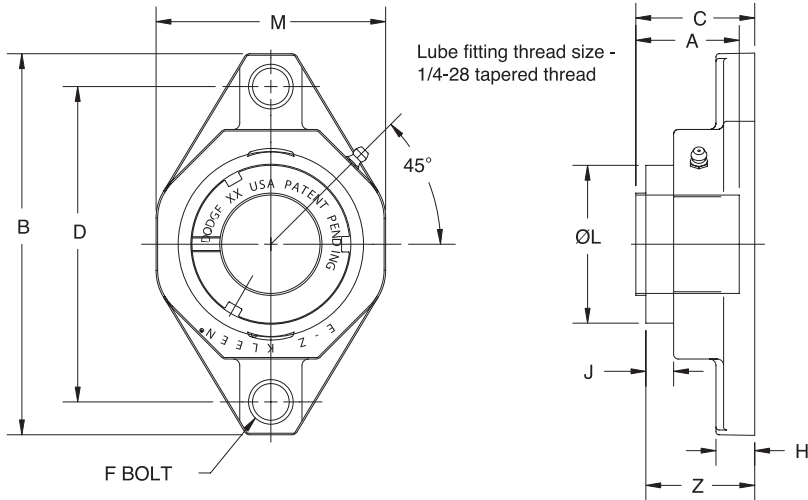
* Made to order

FEATURES/BENEFITS PAGE B1-2	SELECTION PAGE B1-5	INTERCHANGE PAGE B1-88	ACCESSORIES PAGE B1-90
--------------------------------	------------------------	---------------------------	---------------------------

SELECTIONS/DIMENSIONS



E-Z KLEEN Mounted Bearings GTEZ NORMAL DUTY POLYMER HOUSED 2 BOLT FLANGE BEARINGS



Series	Shaft Size	Complete Unit		Unit Without Adapter		Adapter & Nut Assembly	
		Part No.	Description	Part No.	Description	Part No.	Description
204	3/4 20mm	129339	F2B-GTEZ-012-PCR	129548	F2B-GTEZ-04-PCR	129967	AN-GT-04-012-CR
		129340	F2B-GTEZ-20M-PCR			129980	AN-GT-04-20M-CR
205	1 25mm	129341	F2B-GTEZ-100-PCR	129549	F2B-GTEZ-05-PCR	129968	AN-GT-05-100-CR
		129342	F2B-GTEZ-25M-PCR			129981	AN-GT-05-25M-CR
206	1 -1/8 1 -3/16 1 -1/4 30mm	@	F2B-GTEZ-102-PCR	129550	F2B-GTEZ-06-PCR	129969	AN-GT-06-102-CR
		129343	F2B-GTEZ-103-PCR			129970	AN-GT-06-103-CR
		129344	F2B-GTEZ-104S-PCR			129971	AN-GT-06-104S-CR
		129345	F2B-GTEZ-30M-PCR			129982	AN-GT-06-30M-CR
207	1 -1/4 1 -3/8 1 -7/16 35mm	@	F2B-GTEZ-104-PCR	129551	F2B-GTEZ-07-PCR	129972	AN-GT-07-104-CR
		129346	F2B-GTEZ-106-PCR			129973	AN-GT-07-106-CR
		129347	F2B-GTEZ-107-PCR			129974	AN-GT-07-107-CR
		129348	F2B-GTEZ-35M-PCR			129983	AN-GT-07-35M-CR
208	1 -1/2 40mm	129349	F2B-GTEZ-108-PCR	129552	F2B-GTEZ-08-PCR	129975	AN-GT-08-108-CR
		129350	F2B-GTEZ-40M-PCR			129984	AN-GT-08-40M-CR
209	1-11/16 1 -3/4 45mm	129351	F2B-GTEZ-111-PCR	129553	F2B-GTEZ-09-PCR	129976	AN-GT-09-111-CR
		064147	F2B-GTEZ-112-PCR			129977	AN-GT-09-112-CR
		129352	F2B-GTEZ-45M-PCR			129985	AN-GT-09-45M-CR
210	1-15/16 2 50mm	129353	F2B-GTEZ-115-PCR	129554	F2B-GTEZ-10-PCR	129978	AN-GT-10-115-CR
		064503	F2B-GTEZ-200-PCR			129979	AN-GT-10-200-CR
		129354	F2B-GTEZ-50M-PCR			129986	AN-GT-10-50M-CR

@ Assembled to order

FEATURES/BENEFITS PAGE B1-2	SELECTION PAGE B1-5	INTERCHANGE PAGE B1-88	ACCESSORIES PAGE B1-90
--------------------------------	------------------------	---------------------------	---------------------------

SELECTION/DIMENSIONS



E-Z KLEEN Mounted Bearings

GTEZ NORMAL DUTY POLYMER HOUSED 2 BOLT FLANGE BEARINGS

Bearing Quick Reference

E-Z KLEEN

GRIP TIGHT Adapter Ball Bearing

Set Screw Ball Bearing

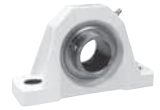
Eccentric Collar Ball Bearing

Size	Shaft Series	Weight lbs kg	A	B	C#	D	F Bolt Dia.	H	J	L	M	Z
204	3/4	0.77	1-15/32	4-29/64	1-45/64	3-17/32	3/8	17/32	37/64	1-1/2	2-23/64	1-3/4
	20 mm	0.36	37.3	113.1	43.3	89.7	M10	13.5	14.7	38.1	59.9	44.5
205	1	1.01	1-29/64	4-59/64	1-11/16	3-57/64	3/8	35/64	17/32	1-51/64	2-23/32	1-3/4
	25 mm	0.47	36.9	125.0	42.9	98.8	M10	13.9	13.5	45.6	69.1	44.5
206	1-1/8	1.56	1-39/64	5-19/32	1-53/64	4-19/32	3/8	39/64	35/64	2-5/64	3-13/64	1-7/8
	1-3/16	1.46										
	1-1/4	1.36										
	30 mm	0.57	40.9	142.1	46.4	116.7	M10	15.5	13.9	52.8	81.4	47.6
207	1-1/4	2.18	1-5/8	6-5/16	1-27/32	5-1/8	1/2	5/8	35/64	2-3/8	3-45/64	1-59/64
	1-5/16	2.11										
	1-7/16	2.08										
	35 mm	1.00	41.3	160.3	46.8	130.2	M12	15.9	13.9	60.3	94.1	48.8
208	1-1/2	2.75	1-27/32	6-25/32	2-5/64	5-21/32	1/2	43/64	37/64	2-5/8	4-1/16	2-1/8
	40 mm	1.26	46.8	172.2	52.8	143.7	M12	17.1	14.7	66.7	103.2	54.0
209	1-5/8	3.11	1-55/64	7-5/64	2-5/64	5-27/32	9/16	23/32	19/32	2-55/64	4-5/16	2-11/64
	1-11/16	3.07										
	1-3/4	3.04										
	45 mm	1.41	47.2	179.8	52.8	148.4	M14	18.3	15.1	72.6	109.5	55.2
210	1-15/16	3.64	1-55/64	7-31/64	2-15/64	6-3/16	5/8	49/64	39/64	3-1/8	4-1/2	2-5/16
	2	3.60										
	50 mm	1.67	47.2	190.1	56.8	157.2	M16	19.4	15.5	79.4	114.3	58.8

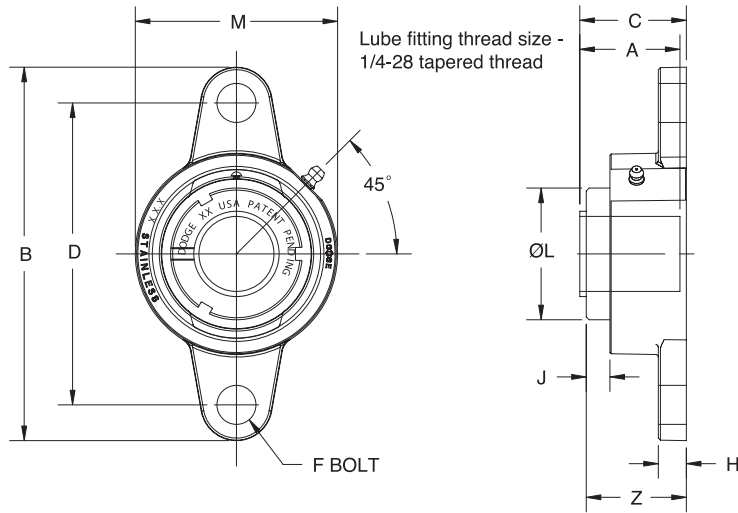
#C dimension will vary slightly depending on true shaft diameter.

FEATURES/BENEFITS PAGE B1-2	SELECTION PAGE B1-5	INTERCHANGE PAGE B1-88	ACCESSORIES PAGE B1-90
--------------------------------	------------------------	---------------------------	---------------------------

SELECTIONS/DIMENSIONS



E-Z KLEEN Mounted Bearings GTEZ NORMAL DUTY STAINLESS STEEL 2 BOLT FLANGE BEARINGS



Series	Shaft Size	Complete Unit		Unit Without Adapter		Adapter & Nut Assembly	
		Part No.	Description	Part No.	Description	Part No.	Description
204	3/4 20mm	129355	F2B-GTEZ-012-SHCR	129573	F2B-GTEZ-04-SHCR	129967	AN-GT-04-012-CR
		129356	F2B-GTEZ-20M-SHCR			129980	AN-GT-04-20M-CR
205	1 25mm	129357	F2B-GTEZ-100-SHCR	129574	F2B-GTEZ-05-SHCR	129968	AN-GT-05-100-CR
		129358	F2B-GTEZ-25M-SHCR			129981	AN-GT-05-25M-CR
206	1-1/8 1-3/16 1-1/4 30mm	@	F2B-GTEZ-102-SHCR	129575	F2B-GTEZ-06-SHCR	129969	AN-GT-06-102-CR
		129359	F2B-GTEZ-103-SHCR			129970	AN-GT-06-103-CR
		129360	F2B-GTEZ-104S-SHCR			129971	AN-GT-06-104S-CR
		129361	F2B-GTEZ-30M-SHCR			129982	AN-GT-06-30M-CR
207	1-1/4 1-3/8 1-7/16 35mm	129362	F2B-GTEZ-104-SHCR	129576	F2B-GTEZ-07-SHCR	129972	AN-GT-07-104-CR
		065694	F2B-GTEZ-106-SHCR			129973	AN-GT-07-106-CR
		129363	F2B-GTEZ-107-SHCR			129974	AN-GT-07-107-CR
		129364	F2B-GTEZ-35M-SHCR			129983	AN-GT-07-35M-CR
208	1-1/2 40mm	129365	F2B-GTEZ-108-SHCR	129577	F2B-GTEZ-08-SHCR	129975	AN-GT-08-108-CR
		129366	F2B-GTEZ-40M-SHCR			129984	AN-GT-08-40M-CR
210	1-15/16 2 50mm	129367	F2B-GTEZ-115-SHCR	129578	F2B-GTEZ-10-SHCR	129978	AN-GT-10-115-CR
		@	F2B-GTEZ-200-SHCR			129979	AN-GT-10-200-CR
		129368	F2B-GTEZ-50M-SHCR			129986	AN-GT-10-50M-CR

@ Assembled to order

FEATURES/BENEFITS PAGE B1-2	SELECTION PAGE B1-5	INTERCHANGE PAGE B1-88	ACCESSORIES PAGE B1-90
--------------------------------	------------------------	---------------------------	---------------------------

SELECTION/DIMENSIONS



E-Z KLEEN Mounted Bearings GTEZ NORMAL DUTY STAINLESS STEEL 2 BOLT FLANGE BEARINGS

Bearing Quick Reference

E-Z KLEEN

GRIP TIGHT Adapter Ball Bearing

Set Screw Ball Bearing

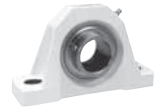
Eccentric Collar Ball Bearing

Series	Shaft Size	Weight lbs kg	A	B	C#	D	F Bolt Dia.	H	J	L	M	Z
204	3/4	1.10	1-15/32	4-3/8	1-1/2	3-17/32	3/8	21/64	39/64	1-1/2	2-3/8	1-9/16
	20mm	0.49	37.3	111.1	38.1	89.7	M10	8.3	15.5	38.1	60.3	39.7
205	1	1.43	1-29/64	4-57/64	1-35/64	3-57/64	3/8	23/64	9/16	1-51/64	2-5/8	1-19/32
	25mm	0.65	36.9	124.2	39.3	98.8	M10	9.1	14.3	45.6	66.7	40.5
206	1-1/8	2.21	1-39/64	5-33/64	1-47/64	4-19/32	3/8	23/64	35/64	2-5/64	3-1/8	1-25/32
	1-3/16	2.17										
	1-1/4	2.13										
	30mm	0.98	40.9	140.1	44.1	116.7	M10	9.1	13.9	52.8	79.4	45.2
207	1-1/4	3.12	1-5/8	6-3/16	1-25/32	5-1/8	1/2	27/64	35/64	2-3/8	3-1/2	1-55/64
	1-3/8	2.99										
	1-7/16	2.95										
	35mm	1.42	41.3	157.2	44.8	130.2	M12	10.7	13.9	60.3	88.9	47.2
208	1-1/2	3.91	1-27/32	6-23/32	1-63/64	5-21/32	1/2	27/64	37/64	2-5/8	3-27/32	2-1/32
	40mm	1.77	46.8	170.7	50.4	143.7	M12	10.7	14.7	66.7	97.6	51.6
210	1-15/16	4.89	1-55/64	7-31/64	2	6-3/16	5/8	31/64	19/32	3-1/8	4-5/16	2-5/64
	2	4.85										
	50mm	2.20	47.2	190.1	50.8	157.2	M16	12.3	15.1	79.4	109.5	52.8

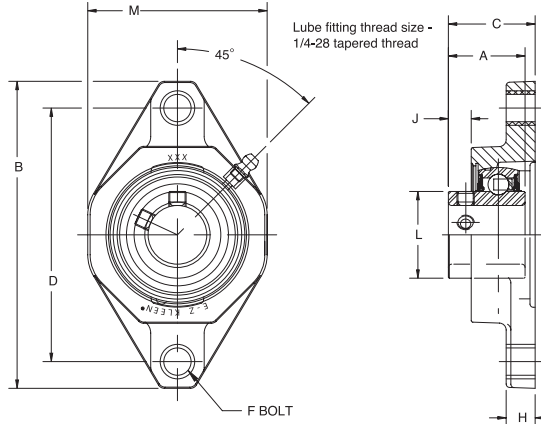
#C dimension will vary slightly depending on true shaft diameter.

FEATURES/BENEFITS PAGE B1-2	SELECTION PAGE B1-5	INTERCHANGE PAGE B1-88	ACCESSORIES PAGE B1-90
--------------------------------	------------------------	---------------------------	---------------------------

SELECTIONS/DIMENSIONS



E-Z KLEEN Mounted Bearings SCEZ NORMAL DUTY POLYMER HOUSED 2 BOLT FLANGE BEARINGS



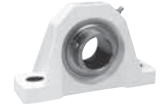
Series	Shaft Size	With Corrosion Resistant Insert		Standard Insert With Flingers	
		Part No.	Description	Part No.	Description
204	1/2	059823	F2B-SCEZ-008L-PCR*	@	F2B-SCEZ-008L-P
	5/8	058792	F2B-SCEZ-010L-PCR*	@	F2B-SCEZ-010L-P
	3/4	127524	F2B-SCEZ-012-PCR	058404	F2B-SCEZ-012-P
	20 mm	127563	F2B-SCEZ-20M-PCR	@	F2B-SCEZ-20M-P
205	7/8	@	F2B-SCEZ-014-PCR*	@	F2B-SCEZ-014-P
	15/16	@	F2B-SCEZ-015-PCR*	@	F2B-SCEZ-015-P
	1	127525	F2B-SCEZ-100-PCR	057524	F2B-SCEZ-100-P
	25 mm	127564	F2B-SCEZ-25M-PCR	@	F2B-SCEZ-25M-P
206	1-1/8	058470	F2B-SCEZ-102-PCR*	@	F2B-SCEZ-102-P
	1-3/16	127526	F2B-SCEZ-103-PCR	@	F2B-SCEZ-103-P
	1-1/4	127527	F2B-SCEZ-104S-PCR	057594	F2B-SCEZ-104S-P
	30 mm	127565	F2B-SCEZ-30M-PCR	@	F2B-SCEZ-30M-P
207	1-1/4	127528	F2B-SCEZ-104-PCR	057687	F2B-SCEZ-104-P
	1-5/16	049380	F2B-SCEZ-105-PCR*	@	F2B-SCEZ-105-P
	1-3/8	056893	F2B-SCEZ-106-PCR*	056526	F2B-SCEZ-106-P
	1-7/16	127529	F2B-SCEZ-107-PCR	058941	F2B-SCEZ-107-P
208	35 mm	127566	F2B-SCEZ-35M-PCR	@	F2B-SCEZ-35M-P
	1-1/2	127530	F2B-SCEZ-108-PCR	056580	F2B-SCEZ-108-P
	1-5/8	@	F2B-SCEZ-110-PCR*	@	F2B-SCEZ-110-P
	40 mm	127567	F2B-SCEZ-40M-PCR	@	F2B-SCEZ-40M-P
209	1-5/8	@	F2B-SCEZ-110L-PCR*	@	F2B-SCEZ-110L-P
	1-11/16	127531	F2B-SCEZ-111-PCR	@	F2B-SCEZ-111-P
	1-3/4	@	F2B-SCEZ-112-PCR	065786	F2B-SCEZ-112-P
	45 mm	127568	F2B-SCEZ-45M-PCR	@	F2B-SCEZ-45M-P
210	1-15/16	127532	F2B-SCEZ-115-PCR	058593	F2B-SCEZ-115-P
	2	049835	F2B-SCEZ-200-PCR	@	F2B-SCEZ-200-P
	50 mm	127569	F2B-SCEZ-50M-PCR	@	F2B-SCEZ-50M-P

@ Assembled to order

* 20 piece minimum

FEATURES/BENEFITS PAGE B1-2	SELECTION PAGE B1-5	INTERCHANGE PAGE B1-88	ACCESSORIES PAGE B1-90
--------------------------------	------------------------	---------------------------	---------------------------

SELECTION/DIMENSIONS

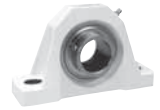


E-Z KLEEN Mounted Bearings SCEZ NORMAL DUTY POLYMER HOUSED 2 BOLT FLANGE BEARINGS

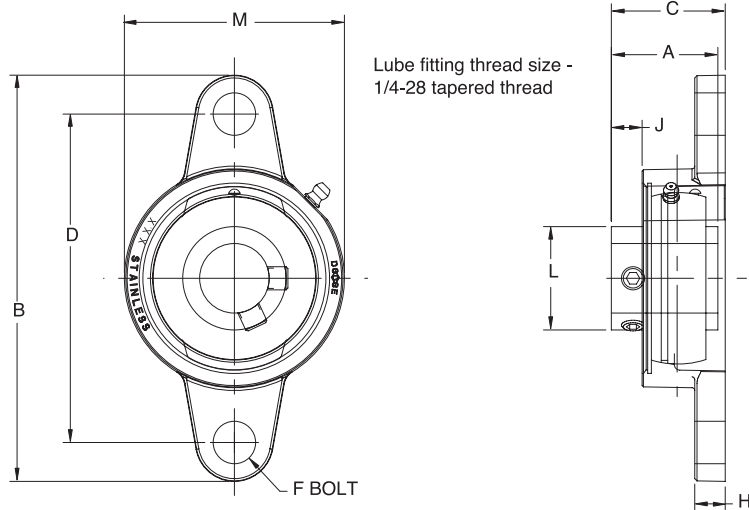
Series	Shaft Size	Weight lbs kg	A	B	C	D	F Bolt Dia.	H	J	L	M
204	1/2	0.48	1-5/32	4-29/64	1-27/64	3-17/32	3/8	17/32	19/64	1-1/8	2-23/64
	5/8	0.44									
	3/4	0.40									
	20 mm	0.24	29.4	113.0	36.1	90.0	M10	13.5	7.6	28.6	59.9
205	7/8	0.64	1-3/16	4-59/64	1-15/32	3-57/64	3/8	35/64	21/64	1-21/64	2-23/32
	15/16	0.60									
	1	0.56									
	25 mm	0.28	30.2	125.0	37.3	99.0	M10	13.9	8.4	33.7	69.1
206	1-1/8	0.88	1-25/64	5-19/32	1-21/32	4-19/32	3/8	39/64	27/64	1-37/64	3-13/64
	1-3/16	0.86									
	1-1/4	0.84									
	30 mm	0.39	35.3	142.1	42.1	116.5	M10	13.9	10.6	40.1	81.4
207	1-1/4	1.36	1-17/32	6-5/16	1-51/64	5-1/8	1/2	5/8	33/64	1-27/32	3-45/64
	1-5/16	1.32									
	1-3/8	1.28									
	35 mm	0.61	38.9	160.3	45.6	130.0	M12	15.9	13.2	46.8	94.1
208	1-1/2	1.82	1-11/16	6-25/32	1-31/32	5-21/32	1/2	43/64	33/64	2-3/64	4-1/16
	1-5/8	1.78									
	40 mm	0.76	42.9	172.2	50.0	143.5	M12	17.1	13.2	52.0	103.1
209	1-5/8	2.04	1-23/32	7-5/64	2-1/64	5-27/32	9/16	23/32	9/16	2-7/32	4-5/16
	1-11/16	2.00									
	45 mm	0.88	43.7	179.8	51.2	148.5	M14	18.2	14.1	56.4	109.5
210	1-15/16	2.12	1-3/4	7-31/64	2-11/64	6-3/16	5/8	49/64	19/32	2-7/16	4-1/2
	2	2.08									
	50 mm	0.96	44.5	190.1	55.2	157.0	M16	19.4	14.9	61.9	114.3

FEATURES/BENEFITS PAGE B1-2	SELECTION PAGE B1-5	INTERCHANGE PAGE B1-88	ACCESSORIES PAGE B1-90
--------------------------------	------------------------	---------------------------	---------------------------

SELECTIONS/DIMENSIONS



E-Z KLEEN Mounted Bearings SCEZ NORMAL DUTY STAINLESS STEEL 2 BOLT FLANGE BEARINGS



Series	Shaft Size	With Corrosion Resistant Insert		Standard Insert with Flingers	
		Part No.	Description	Part No.	Description
204	1/2	@	F2B-SCEZ-008L-SHCR*	@	F2B-SCEZ-008L-SH
	5/8	062994	F2B-SCEZ-010L-SHCR*	@	F2B-SCEZ-010L-SH
	3/4	127681	F2B-SCEZ-012-SHCR	056801	F2B-SCEZ-012-SH
	20mm	127703	F2B-SCEZ-20M-SHCR	@	F2B-SCEZ-20M-SH
205	7/8	@	F2B-SCEZ-014-SHCR*	@	F2B-SCEZ-014-SH
	15/16	@	F2B-SCEZ-015-SHCR*	049686	F2B-SCEZ-015-SH
	1	127682	F2B-SCEZ-100-SHCR	056611	F2B-SCEZ-100-SH
	25mm	127704	F2B-SCEZ-25M-SHCR	@	F2B-SCEZ-25M-SH
206	1-1/8	@	F2B-SCEZ-102-SHCR	@	F2B-SCEZ-102-SH
	1-3/16	127683	F2B-SCEZ-103-SHCR	056971	F2B-SCEZ-103-SH
	1-1/4	127684	F2B-SCEZ-104S-SHCR	056612	F2B-SCEZ-104S-SH
	30mm	127705	F2B-SCEZ-30M-SHCR	@	F2B-SCEZ-30M-SH
207	1-1/4	127685	F2B-SCEZ-104-SHCR	056802	F2B-SCEZ-104-SH
	1-3/8	056734	F2B-SCEZ-106-SHCR*	@	F2B-SCEZ-106-SH
	1-7/16	127686	F2B-SCEZ-107-SHCR	056803	F2B-SCEZ-107-SH
	35mm	127706	F2B-SCEZ-35M-SHCR	@	F2B-SCEZ-35M-SH
208	1-1/2	127687	F2B-SCEZ-108-SHCR	056804	F2B-SCEZ-108-SH
	1-5/8	068283	F2B-SCEZ-110-SHCR	----	----
	40mm	127707	F2B-SCEZ-40M-SHCR	@	F2B-SCEZ-40M-SH
	210	1-11/16	@	F2B-SCMEZ-111-SHCR*	056552
1-15/16		127688	F2B-SCEZ-115-SHCR	056805	F2B-SCEZ-115-SH
2		062913	F2B-SCEZ-200-SHCR	056964	F2B-SCEZ-200-SH
50mm		127708	F2B-SCEZ-50M-SHCR	@	F2B-SCEZ-50M-SH

@ Assembled to order

*20 piece minimum

FEATURES/BENEFITS PAGE B1-2	SELECTION PAGE B1-5	INTERCHANGE PAGE B1-88	ACCESSORIES PAGE B1-90
--------------------------------	------------------------	---------------------------	---------------------------

SELECTION/DIMENSIONS



E-Z KLEEN Mounted Bearings SCEZ NORMAL DUTY STAINLESS STEEL 2 BOLT FLANGE BEARINGS

Bearing Quick Reference

E-Z KLEEN

GRIP TIGHT Adapter Ball Bearing

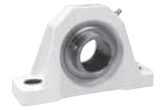
Set Screw Ball Bearing

Eccentric Collar Ball Bearing

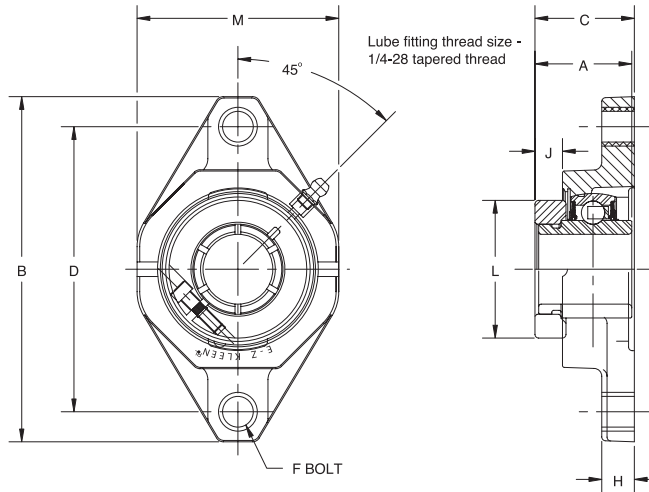
Series	Shaft Size	Weight lbs kg	A	B	C	D	F Bolt Dia.	H	J	L	M
204	1/2	1.04	1-5/32	4-3/8	1-1/4	3-17/32	3/8	21/64	11/32	1-1/8	2-3/8
	5/8	0.99									
	3/4	0.95									
	20mm	0.42	29.4	111.1	31.8	89.7	M10	8.3	8.7	28.6	60.3
205	7/8	1.25	1-3/16	4-57/64	1-11/32	3-57/64	3/8	23/64	3/8	1-21/64	2-5/8
	15/16	1.23									
	1	1.21									
	25mm	0.55	30.2	124.2	34.1	98.8	M10	9.1	9.5	33.7	66.7
206	1-1/8	1.95	1-25/64	5-33/64	1-9/16	4-19/32	3/8	23/64	27/64	1-37/64	3-1/8
	1-3/16	1.91									
	1-1/4	1.87									
	30mm	0.87	35.3	140.1	39.7	116.7	M10	9.1	10.7	40.1	79.4
207	1-1/4	2.64	1-17/32	6-3/16	1-3/4	5-1/8	1/2	27/64	17/32	1-27/32	3-1/2
	1-3/8	2.53									
	1-7/16	2.47									
	35mm	1.15	38.9	157.2	44.5	130.2	M12	10.7	13.5	46.8	88.9
208	1-1/2	3.40	1-11/16	6-23/32	1-7/8	5-21/32	1/2	27/64	17/32	2-3/64	3-27/32
	1-5/8	3.10									
	40mm	1.50	42.9	170.7	47.6	143.7	M12	10.7	13.5	52.0	97.6
210	1-11/16	4.21	1-3/4	7-31/64	1-61/64	6-3/16	5/8	31/64	19/32	2-7/16	4-5/16
	1-15/16	4.17									
	2	4.13									
	50mm	1.87	44.5	190.1	49.6	157.2	M16	12.3	15.1	61.9	109.5

FEATURES/BENEFITS PAGE B1-2	SELECTION PAGE B1-5	INTERCHANGE PAGE B1-88	ACCESSORIES PAGE B1-90
--------------------------------	------------------------	---------------------------	---------------------------

SELECTIONS/DIMENSIONS



E-Z KLEEN Mounted Bearings DLEZ NORMAL DUTY POLYMER HOUSED 2 BOLT FLANGE BEARINGS



Series	Shaft Size	With Corrosion Resistant Insert		Standard Insert With Flingers	
		Part No.	Description	Part No.	Description
204	3/4	127602	F2B-DLEZ-012-PCR	@	F2B-DLEZ-012-P
	20 mm	127641	F2B-DLEZ-20M-PCR	@	F2B-DLEZ-20M-P
205	7/8	@	F2B-DLEZ-014-PCR*	@	F2B-DLEZ-014-P
	15/16	@	F2B-DLEZ-015-PCR*	@	F2B-DLEZ-015-P
	1	127603	F2B-DLEZ-100-PCR	@	F2B-DLEZ-100-P
	25 mm	127642	F2B-DLEZ-25M-PCR	@	F2B-DLEZ-25M-P
206	1-1/8	@	F2B-DLEZ-102-PCR*	@	F2B-DLEZ-102-P
	1-3/16	127604	F2B-DLEZ-103-PCR	@	F2B-DLEZ-103-P
	1-1/4	127605	F2B-DLEZ-104S-PCR	@	F2B-DLEZ-104S-P
	30 mm	127643	F2B-DLEZ-30M-PCR	@	F2B-DLEZ-30M-P
207	1-1/4	127606	F2B-DLEZ-104-PCR	@	F2B-DLEZ-104-P
	1-3/8	@	F2B-DLEZ-106-PCR*	@	F2B-DLEZ-106-P
	1-7/16	127607	F2B-DLEZ-107-PCR	@	F2B-DLEZ-107-P
	35 mm	127644	F2B-DLEZ-35M-PCR	@	F2B-DLEZ-35M-P
208	1-1/2	127608	F2B-DLEZ-108-PCR	@	F2B-DLEZ-108-P
	40 mm	127645	F2B-DLEZ-40M-PCR	@	F2B-DLEZ-40M-P
209	1-5/8	@	F2B-DLEZ-110L-PCR*	@	F2B-DLEZ-110L-P
	1-11/16	127609	F2B-DLEZ-111-PCR	@	F2B-DLEZ-111-P
	1-3/4	@	F2B-DLEZ-112-PCR*	@	F2B-DLEZ-112-P
	45 mm	127646	F2B-DLEZ-45M-PCR	@	F2B-DLEZ-45M-P
210	1-15/16	127610	F2B-DLEZ-115-PCR	@	F2B-DLEZ-115-P
	2	058515	F2B-DLEZ-200-PCR	@	F2B-DLEZ-200-P
	50 mm	127647	F2B-DLEZ-50M-PCR	@	F2B-DLEZ-50M-P

@ Assembled to order

*20 piece minimum

FEATURES/BENEFITS PAGE B1-2	SELECTION PAGE B1-5	INTERCHANGE PAGE B1-88	ACCESSORIES PAGE B1-90
--------------------------------	------------------------	---------------------------	---------------------------

SELECTION/DIMENSIONS



E-Z KLEEN Mounted Bearings DLEZ NORMAL DUTY POLYMER HOUSED 2 BOLT FLANGE BEARINGS

Bearing Quick Reference

E-Z KLEEN

GRIP TIGHT Adapter Ball Bearing

Set Screw Ball Bearing

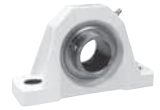
Eccentric Collar Ball Bearing

Series	Shaft Size	Weight lbs kg	A	B	C	D	F Bolt Dia.	H	J	L	M
204	3/4	0.77	1-9/32	4-29/64	1-15/32	3-17/32	3/8	17/32	23/64	1-45/64	2-23/64
	20 mm	0.36	32.5	113.0	37.3	90.0	M10	13.5	9.1	43.3	59.9
205	7/8	1.09	1-7/16	4-59/64	1-37/64	3-57/64	3/8	35/64	7/16	2	2-23/32
	15/16	1.05									
	1	1.01									
206	25 mm	0.47	36.5	125.0	40.1	99.0	M10	13.9	11.1	50.8	69.1
	1-1/8	1.56	1-9/16	5-19/32	1-11/16	4-19/32	3/8	39/64	29/64	2-7/32	3-13/64
	1-3/16	1.46									
1-1/4	1.36										
207	30 mm	0.57	39.7	142.1	42.9	116.5	M10	13.9	11.5	56.4	81.4
	1-1/4	2.18	1-3/4	6-5/16	1-53/64	5-1/8	1/2	5/8	35/64	2-11/16	3-45/64
	1-3/8	2.11									
1-7/16	2.08										
208	35 mm	1.00	44.5	160.3	46.4	130.0	M12	15.9	13.9	68.3	94.1
	1-1/2	2.75	2	6-25/32	2-1/8	5-21/32	1/2	43/64	11/16	2-47/64	4-1/16
	40 mm	1.26									
		50.8	172.2	54.0	143.5	M12	17.1	17.5	69.5	103.1	
209	1-5/8	3.11	2	7-5/64	2-9/64	5-27/32	9/16	23/32	11/16	2-63/64	4-5/16
	1-11/16	3.07									
	1-3/4	3.04									
210	45 mm	1.41	50.8	179.8	54.4	148.5	M14	18.2	17.5	75.8	109.5
	1-15/16	3.64	2-3/32	7-31/64	2-23/64	6-3/16	5/8	49/64	25/32	3-15/64	4-1/2
	2	3.60									
50 mm	1.67	53.2	190.1	59.9	157.0	M16	19.4	19.8	82.1	114.3	

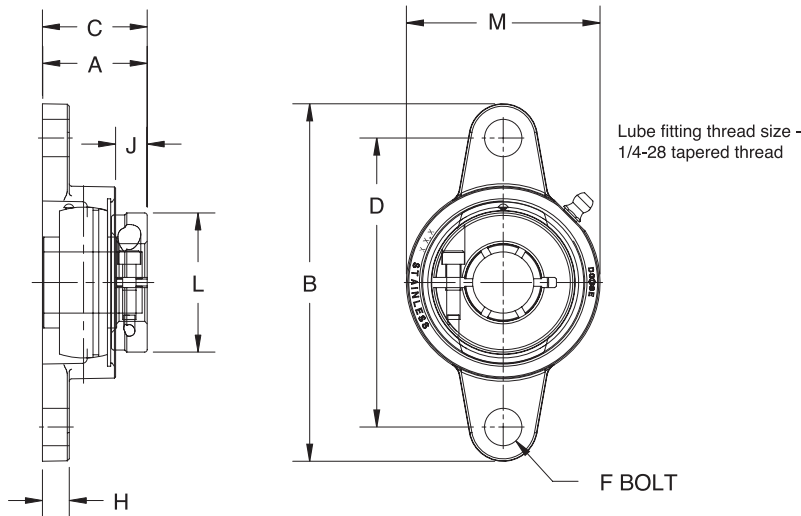
FEATURES/BENEFITS PAGE B1-2	SELECTION PAGE B1-5	INTERCHANGE PAGE B1-88	ACCESSORIES PAGE B1-90
--------------------------------	------------------------	---------------------------	---------------------------

SELECTIONS/DIMENSIONS

DODGE®



E-Z KLEEN Mounted Bearings DLEZ NORMAL DUTY STAINLESS STEEL 2 BOLT FLANGE BEARINGS



Series	Shaft Size	Part No.	Description
204	3/4	127723	F2B-DLEZ-012-SHCR
	20mm	127745	F2B-DLEZ-20M-SHCR
205	7/8	@	F2B-DLEZ-014-SHCR*
	15/16	@	F2B-DLEZ-015-SHCR*
	1	127724	F2B-DLEZ-100-SHCR
	25mm	127746	F2B-DLEZ-25M-SHCR
206	1-1/8	@	F2B-DLEZ-102-SHCR
	1-3/16	127725	F2B-DLEZ-103-SHCR
	1-1/4	127726	F2B-DLEZ-104S-SHCR
	30mm	127747	F2B-DLEZ-30M-SHCR
207	1-1/4	127727	F2B-DLEZ-104-SHCR
	1-3/8	@	F2B-DLEZ-106-SHCR*
	1-7/16	127728	F2B-DLEZ-107-SHCR
	35mm	127748	F2B-DLEZ-35M-SHCR
208	1-1/2	127729	F2B-DLEZ-108-SHCR
	40mm	127749	F2B-DLEZ-40M-SHCR
210	1-11/16	@	F2B-DLMEZ-111-SHCR*
	1-15/16	127730	F2B-DLEZ-115-SHCR
	50mm	127750	F2B-DLEZ-50M-SHCR

@ Assembled to order

*20 piece minimum

FEATURES/BENEFITS
PAGE B1-2

SELECTION
PAGE B1-5

INTERCHANGE
PAGE B1-88

ACCESSORIES
PAGE B1-90

SELECTION/DIMENSIONS



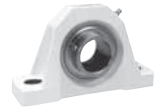
E-Z KLEEN Mounted Bearings

DLEZ NORMAL DUTY STAINLESS STEEL 2 BOLT FLANGE BEARINGS

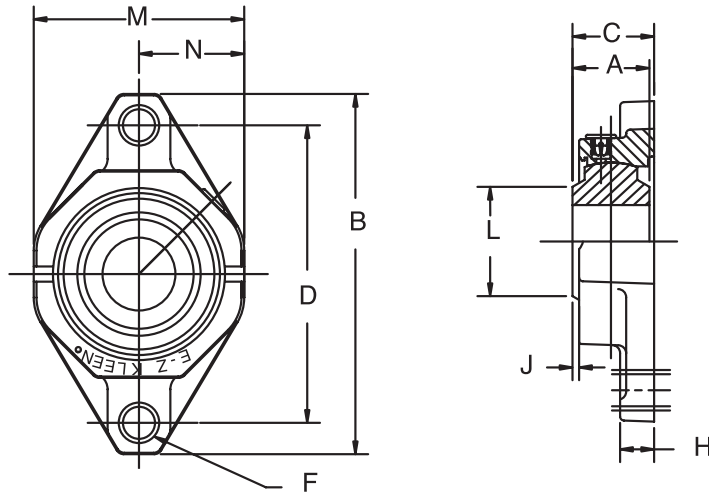
Series	Shaft Size	Weight lbs kg	A	B	C	D	F Bolt Dia.	H	J	L	M
204	3/4	1.10	1-9/32	4-3/8	1-19/64	3-17/32	3/8	21/64	13/32	1-45/64	2-3/8
	20mm	0.49	32.5	111.1	32.9	89.7	M10	8.3	10.3	43.3	60.3
205	7/8	1.51	1-7/16	4-57/64	1-29/64	3-57/64	3/8	23/64	31/64	2	2-5/8
	15/16	1.47									
	1	1.43									
206	25mm	0.65	36.5	124.2	36.9	98.8	M10	9.1	12.3	50.8	66.7
	1-1/8	2.21	1-9/16	5-33/64	1-19/32	4-19/32	3/8	23/64	29/64	2-7/32	3-1/8
	1-3/16	2.17									
	1-1/4	2.13									
207	30mm	0.98	39.7	140.1	40.5	116.7	M10	9.1	11.5	56.4	79.4
	1-1/4	3.12	1-3/4	6-3/16	1-25/32	5-1/8	1/2	27/64	9/16	2-11/16	3-1/2
	1-3/8	2.99									
	1-7/16	2.95									
208	35mm	1.42	44.5	157.2	45.2	130.2	M12	10.7	14.3	68.3	88.9
	1-1/2	3.91	2	6-23/32	2-1/32	5-21/32	1/2	27/64	11/16	2-47/64	3-27/32
	40mm	1.77	50.8	170.7	51.6	143.7	M12	10.7	17.5	69.5	97.6
210	1-11/16	4.89	2-3/32	7-31/64	2-9/64	6-3/16	5/8	31/64	25/32	3-15/64	4-5/16
	1-15/16	4.85									
	50mm	2.20	53.2	190.1	54.4	157.2	M16	12.3	19.8	82.2	109.5

FEATURES/BENEFITS PAGE B1-2	SELECTION PAGE B1-5	INTERCHANGE PAGE B1-88	ACCESSORIES PAGE B1-90
--------------------------------	------------------------	---------------------------	---------------------------

SELECTIONS/DIMENSIONS



E-Z KLEEN Mounted Bearings PSEZ POLYMER SLEEVE POLYMER HOUSED 2 BOLT FLANGE BEARINGS



Series	Shaft Size	Part No.	Description
204	3/4	034726	F2B-PSEZ-012-P
	20mm	034766	F2B-PSEZ-20M-P
205	1	034727	F2B-PSEZ-100-P
	25mm	034767	F2B-PSEZ-25M-P
206	1-3/6	034728	F2B-PSEZ-103-P
	1-1/4	034729	F2B-PSEZ-104S-P
	30mm	034768	F2B-PSEZ-30M-P
207	1-1/4	034730	F2B-PSEZ-104-P
	1-7/16	034731	F2B-PSEZ-107-P
	35mm	034769	F2B-PSEZ-35M-P
208	1-1/2	034732	F2B-PSEZ-108-P
	40mm	034770	F2B-PSEZ-40M-P
210	1-15/16	034735	F2B-PSEZ-115-P
	50mm	034772	F28-PSEZ-50M-P

FEATURES/BENEFITS PAGE B1-2	SELECTION PAGE B1-5	INTERCHANGE PAGE B1-88	ACCESSORIES PAGE B1-90
--------------------------------	------------------------	---------------------------	---------------------------

SELECTION/DIMENSIONS



E-Z KLEEN Mounted Bearings PSEZ POLYMER SLEEVE POLYMER HOUSED 2 BOLT FLANGE BEARINGS

Bearing Quick Reference

E-Z KLEEN

GRIP TIGHT Adapter Ball Bearing

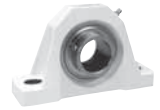
Set Screw Ball Bearing

Eccentric Collar Ball Bearing

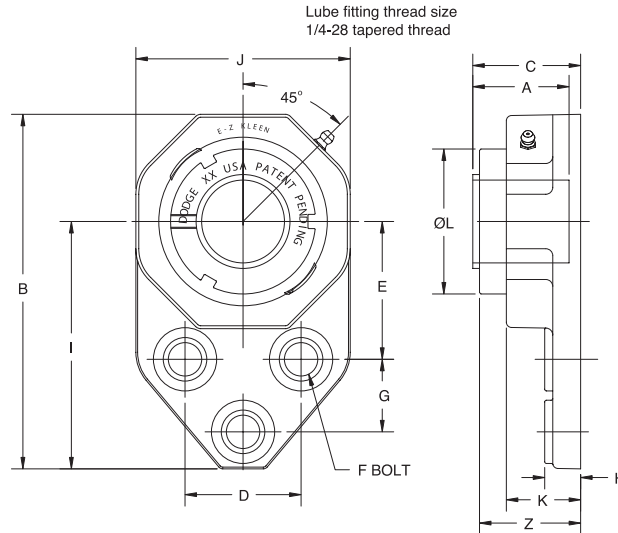
Series	Shaft Size	Weight lb. kg	A	B	C	D	F Bolt Dia	H	J	L	M
204	3/4 20mm	0.42 0.19	1 25.4	4-29/64 113.0	1-3/16 30.4	3-17/32 90.0	3/8 M10	17/32 13.5	5/64 1.9	1-5/16 33.3	2-23/64 59.9
205	1 25mm	0.46 0.21	1-1/16 27.0	4-59/64 125.0	1-1/4 31.5	3-57/64 99.0	3/8 M10	35/64 13.9	1/8 2.6	1-7/16 36.5	2-23/64 69.1
206	1-3/6 1-1/4 30mm	0.62 0.61 0.28	1-3/16 30.2	5-19/32 142.1	1-11/32 34.1	4-19/32 116.5	3/8 M10	35/64 13.9	7/64 2.6	1-11/16 42.9	3-13/64 81.4
207	1-1/4 1-7/16 35mm	0.78 0.73 0.36	1-5/16 33.3	6-5/16 160.3	1-27/64 36.2	5-1/8 130.0	1/2 M12	5/8 15.9	9/64 3.7	2 50.8	3-45/64 94.1
208	1-1/2 40mm	1.01 0.46	1-1/2 38.1	6-25/32 172.0	1-5/8 41.4	5-21/32 143.5	1/2 M12	43/64 17.1	1/4 4.6	2 50.8	4-1/16 103.1
210	1-15/16 50mm	1.14 0.52	1-5/8 41.3	7-31/64 19.1	1-53/64 46.5	6-3/16 157.0	5/8 M16	49/64 19.4	1/4 6.2	2-9/16 65.1	4-1/2 114.3

FEATURES/BENEFITS PAGE B1-2	SELECTION PAGE B1-5	INTERCHANGE PAGE B1-88	ACCESSORIES PAGE B1-90
--------------------------------	------------------------	---------------------------	---------------------------

SELECTIONS/DIMENSIONS



E-Z KLEEN Mounted Bearings GTEZ NORMAL DUTY POLYMER HOUSED FLANGE BEARINGS

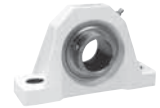


SERIES	SHAFT SIZE	COMPLETE UNIT		UNIT WITHOUT ADAPTER		ADAPTER & NUT ASSEMBLY	
		PART NO.	DESCRIPTION	PART NO.	DESCRIPTION	PART NO.	DESCRIPTION
204	3/4	129627	FB-GTEZ-012-PCR	129555	FB-GTEZ-04-PCR	129967	AN-GT-04-012-CR
205	1	129629	FB-GTEZ-100-PCR	129556	FB-GTEZ-05-PCR	129968	AN-GT-05-100-CR
206	1-1/8	@	FB-GTEZ-102-PCR	129557	FB-GTEZ-06-PCR	129969	AN-GT-06-102-CR
	1-3/16	129631	FB-GTEZ-103-PCR			129970	AN-GT-06-103-CR
	1-1/4	129632	FB-GTEZ-104S-PCR			129971	AN-GT-06-104S-CR
207	1-1/4	129634	FB-GTEZ-104-PCR	129558	FB-GTEZ-07-PCR	129972	AN-GT-07-104-CR
	1-3/8	@	FB-GTEZ-106-PCR			129973	AN-GT-07-106-CR
	1-7/16	129635	FB-GTEZ-107-PCR			129974	AN-GT-07-107-CR

@ Assembled to order

FEATURES/BENEFITS PAGE B1-2	SELECTION PAGE B1-5	INTERCHANGE PAGE B1-88	ACCESSORIES PAGE B1-90
--------------------------------	------------------------	---------------------------	---------------------------

SELECTION/DIMENSIONS



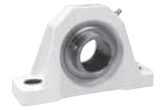
E-Z KLEEN Mounted Bearings GTEZ NORMAL DUTY POLYMER HOUSED FLANGE BEARINGS

Series	Shaft Size	Weight lbs kg	A	B	C#	D	E	F Bolt Dia.	G	H	I	J	K	L	Z
204	3/4	0.75	1-15/32	4-25/64	1-45/64	1-1/2	1-11/16	3/8	7/8	17/32	3-15/64	2-11/32	1-1/8	1-1/2	1-11/16
205	1	1.12	1-29/64	4-29/32	1-11/16	1-5/8	1-13/16	3/8	1-1/8	35/64	3-9/16	2-23/32	1-9/64	1-51/64	1-47/64
206	1-1/8	1.77	1-39/64	5-31/64	1-53/64	1-7/8	2-1/16	3/8	1-1/4	39/64	3-7/8	3-13/64	1-1/4	2-5/64	1-25/32
	1-3/16	1.67													
	1-1/4	1.57													
207	1-1/4	2.65	1-5/8	6-7/64	1-27/32	2	2-3/8	1/2	1-1/4	5/8	4-17/64	3-45/64	1-9/32	2-3/8	1-53/64
	1-3/8	2.58													
	1-7/16	2.55													

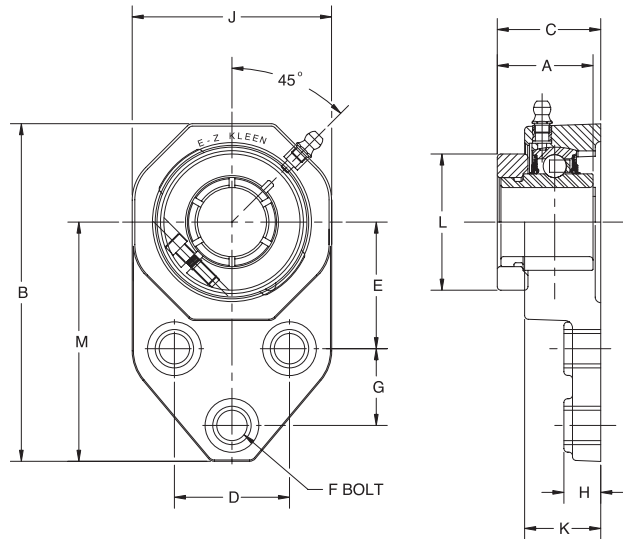
#C dimension will vary slightly depending on true shaft diameter.

FEATURES/BENEFITS PAGE B1-2	SELECTION PAGE B1-5	INTERCHANGE PAGE B1-88	ACCESSORIES PAGE B1-90
--------------------------------	------------------------	---------------------------	---------------------------

SELECTIONS/DIMENSIONS



E-Z KLEEN Mounted Bearings SCEZ NORMAL DUTY POLYMER HOUSED FLANGE BRACKETS

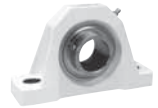


Series	Shaft Size	With Corrosion Resistant Insert		With Insert With Flingers	
		Part No.	Description	Part No.	Description
204	1/2	@	FB-SCEZ-008-PCR*	062317	FB-SCEZ-008-P
	5/8	@	FB-SCEZ-010-PCR*	@	FB-SCEZ-010-P
	3/4	127533	FB-SCEZ-012-PCR	058336	FB-SCEZ-012-P
	20 mm	127570	<i>FB-SCEZ-20M-PCR</i>	@	<i>FB-SCEZ-20M-P</i>
205	7/8	@	FB-SCEZ-014-PCR*	@	FB-SCEZ-014-P
	15/16	@	FB-SCEZ-015-PCR*	@	FB-SCEZ-015-P
	1	127534	FB-SCEZ-100-PCR	057908	FB-SCEZ-100-P
	25 mm	127521	<i>FB-SCEZ-25M-PCR</i>	@	<i>FB-SCEZ-25M-P</i>
206	1-1/8	@	FB-SCEZ-102-PCR*	@	FB-SCEZ-102-P
	1-3/16	127535	FB-SCEZ-103-PCR	@	FB-SCEZ-103-P
	1-1/4	127536	FB-SCEZ-104S-PCR	058311	FB-SCEZ-104S-P
	30 mm	127522	<i>FB-SCEZ-30M-PCR</i>	@	<i>FB-SCEZ-30M-P</i>
207	1-1/4	127537	FB-SCEZ-104-PCR	@	FB-SCEZ-104-P
	1-5/16	058648	FB-SCEZ-105-PCR*	@	FB-SCEZ-105-P
	1-3/8	@	FB-SCEZ-106-PCR*	@	FB-SCEZ-106-P
	1-7/16	127538	FB-SCEZ-107-PCR	@	FB-SCEZ-107-P
	35 mm	127523	<i>FB-SCEZ-35M-PCR</i>	@	<i>FB-SCEZ-35M-P</i>

@ Assembled to order
* 20 piece minimum

FEATURES/BENEFITS PAGE B1-2	SELECTION PAGE B1-5	INTERCHANGE PAGE B1-88	ACCESSORIES PAGE B1-90
--------------------------------	------------------------	---------------------------	---------------------------

SELECTION/DIMENSIONS

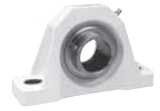


E-Z KLEEN Mounted Bearings SCEZ NORMAL DUTY POLYMER HOUSED FLANGE BRACKETS

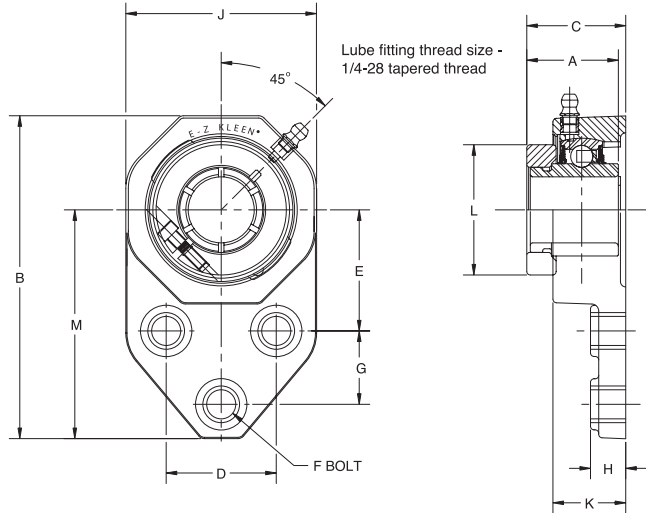
Series	Shaft Size	Weight lbs kg	A	B	C	D	E	F Bolt Dia.	G	H	I	J	K	L
204	1/2	0.51	1-5/32	4-25/64	1-27/64	1-1/2	1-11/16	3/8	7/8	17/32	3-3/16	2-11/32	1-1/8	1-1/8
	5/8	0.49												
	3/4	0.47												
	20 mm	0.23	29.4	111.5	37.3	38.1	42.9	M10	22.2	13.5	81.1	59.4	28.4	28.6
205	7/8	0.73	1-3/16	4-29/32	1-15/32	1-5/8	1-13/16	3/8	1-1/8	35/64	3-17/32	2-23/32	1-9/64	1-21/64
	15/16	0.71												
	1	0.69												
	25 mm	0.32	30.2	124.6	40.1	41.3	46.1	M10	28.6	13.9	89.8	69.1	29.0	33.7
206	1-1/8	1.09	1-25/64	5-31/64	1-21/32	1-7/8	2-1/16	3/8	1-1/4	39/64	3-57/64	3-13/64	1-1/4	1-37/64
	1-3/16	1.07												
	1-1/4	1.05												
	30 mm	0.48	35.3	139.2	42.9	47.6	52.4	M10	31.8	15.5	98.6	81.3	31.8	40.1
207	1-1/4	1.87	1-17/32	6-7/64	1-51/64	2	2-3/8	1/2	1-1/4	5/8	4-15/64	3-45/64	1-9/32	1-27/32
	1-5/16	1.81												
	1-3/8	1.76												
	35 mm	0.83	38.9	155.2	46.4	50.8	60.3	M12	31.8	15.9	107.6	94.1	32.5	46.8

FEATURES/BENEFITS PAGE B1-2	SELECTION PAGE B1-5	INTERCHANGE PAGE B1-88	ACCESSORIES PAGE B1-90
--------------------------------	------------------------	---------------------------	---------------------------

SELECTIONS/DIMENSIONS



E-Z KLEEN Mounted Bearings DLEZ NORMAL DUTY POLYMER HOUSED FLANGE BRACKETS



Series	Shaft Size	With Corrosion Resistant Insert		With Insert With Flingers	
		Part No.	Description	Part No.	Description
204	3/4	127611	FB-DLEZ-012-PCR	@	FB-DLEZ-012-P
	20 mm	127648	FB-DLEZ-20M-PCR	@	FB-DLEZ-20M-P
205	7/8	@	FB-DLEZ-014-PCR*	@	FB-DLEZ-014-P
	15/16	@	FB-DLEZ-015-PCR*	@	FB-DLEZ-015-P
	1	127612	FB-DLEZ-100-PCR	@	FB-DLEZ-100-P
	25 mm	127649	FB-DLEZ-25M-PCR	@	FB-DLEZ-25M-P
206	1-1/8	@	FB-DLEZ-102-PCR*	@	FB-DLEZ-102-P
	1-3/16	127613	FB-DLEZ-103-PCR	@	FB-DLEZ-103-P
	1-1/4	127614	FB-DLEZ-104S-PCR	@	FB-DLEZ-104S-P
	30 mm	127650	FB-DLEZ-30M-PCR	@	FB-DLEZ-30M-P
207	1-1/4	127615	FB-DLEZ-104-PCR	@	FB-DLEZ-104-P
	1-3/8	@	FB-DLEZ-106-PCR*	@	FB-DLEZ-106-P
	1-7/16	127616	FB-DLEZ-107-PCR	@	FB-DLEZ-107-P
	35 mm	127651	FB-DLEZ-35M-PCR	@	FB-DLEZ-35M-P

@ Assembled to order
* 20 piece minimum

FEATURES/BENEFITS PAGE B1-2	SELECTION PAGE B1-5	INTERCHANGE PAGE B1-88	ACCESSORIES PAGE B1-90
--------------------------------	------------------------	---------------------------	---------------------------

SELECTION/DIMENSIONS



E-Z KLEEN Mounted Bearings DLEZ NORMAL DUTY POLYMER HOUSED FLANGE BRACKETS

Bearing Quick Reference

E-Z KLEEN

GRIP TIGHT Adapter Ball Bearing

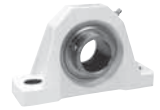
Set Screw Ball Bearing

Eccentric Collar Ball Bearing

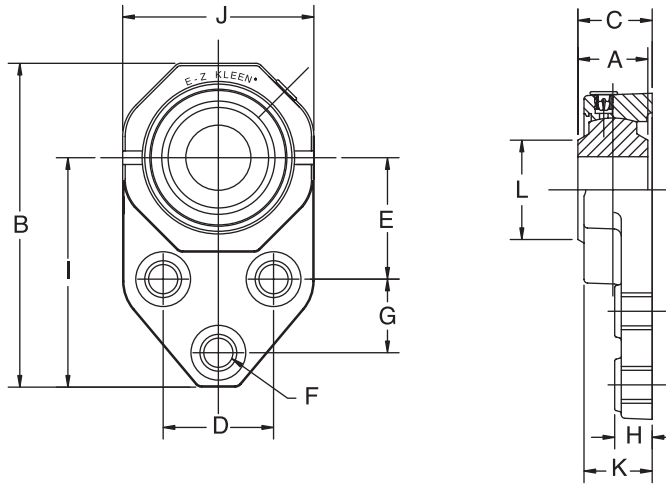
Series	Shaft Size	Weight lbs kg	A	B	C	D	E	F Bolt Dia.	G	H	I	J	K	L
204	3/4	0.75	1-9/32	4-25/64	1-15/32	1-1/2	1-11/16	3/8	7/8	17/32	3-3/16	2-11/32	1-1/8	1-45/64
	20 mm	0.35	32.5	111.5	37.3	38.1	42.9	M10	22.2	13.5	81.1	59.4	28.4	43.3
205	7/8	1.32	1-7/16	4-29/32	1-37/64	1-5/8	1-13/16	3/8	1-1/8	35/64	3-17/32	2-45/64	1-9/64	2
	15/16	1.22												
	1	1.12												
206	25 mm	0.51	36.5	124.6	40.1	41.3	46.1	M10	28.6	13.9	89.8	68.8	29.0	50.8
	1-1/8	1.77	1-9/16	5-31/64	1-11/16	1-7/8	2-1/16	3/8	1-1/4	39/64	3-57/64	3-13/64	1-1/4	2-7/32
	1-3/16	1.67												
207	1-1/4	1.57												
	30 mm	0.76	39.7	139.3	42.9	47.6	52.4	M10	31.8	15.5	98.6	81.3	31.8	56.4
	1-1/4	2.65	1-3/4	6-7/64	1-53/64	2	2-3/8	1/2	1-1/4	5/8	4-15/64	3-45/64	1-9/32	2-11/16
207	1-3/8	2.58												
	1-7/16	2.55												
	35 mm	1.22	44.5	155.2	46.4	50.8	60.3	M12	31.8	15.9	107.6	94.1	32.5	68.3

FEATURES/BENEFITS PAGE B1-2	SELECTION PAGE B1-5	INTERCHANGE PAGE B1-88	ACCESSORIES PAGE B1-90
--------------------------------	------------------------	---------------------------	---------------------------

SELECTIONS/DIMENSIONS



E-Z KLEEN Mounted Bearings PSEZ POLYMER SLEEVE POLYMER HOUSED 3-BOLT FLANGE BRACKET



Series	Shaft Size	Part No.	Description
204	3/4	034736	FB-PSEZ-012-P
	20mm	034773	FB-PSEZ-20M-P
205	1	034737	FB-PSEZ-100-P
	25mm	034774	FB-PSEZ-25M-P
206	1-3/16	034738	FB-PSEZ-103-P
	1-1/4	034739	FB-PSEZ-104S-P
207	30mm	034775	FB-PSEZ-30M-P
	1-1/4	034740	FB-PSEZ-104-P
	1-7/16	034741	FB-PSEZ-107-P
	35mm	034776	FB-PSEZ-35M-P

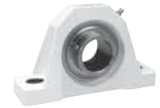
FEATURES/BENEFITS
PAGE B1-2

SELECTION
PAGE B1-5

INTERCHANGE
PAGE B1-88

ACCESSORIES
PAGE B1-90

SELECTION/DIMENSIONS



E-Z KLEEN Mounted Bearings PSEZ POLYMER SLEEVE POLYMER HOUSED 3-BOLT FLANGE BRACKET

Bearing Quick Reference

E-Z KLEEN

GRIP TIGHT Adapter Ball Bearing

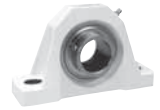
Set Screw Ball Bearing

Eccentric Collar Ball Bearing

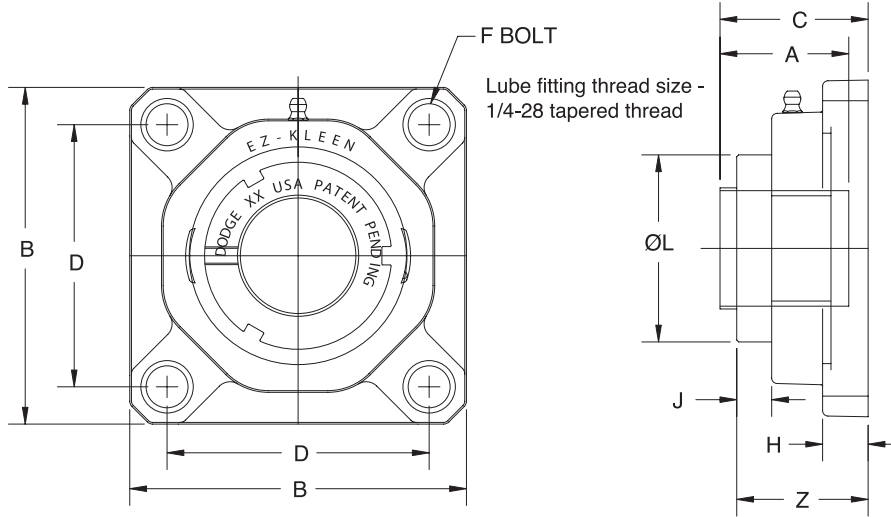
Series	Shaft Size	Weight lbs kg	A	B	C	D	E	F	G	H	I	J	K	L
204	3/4 20mm	0.4 0.18	1 25.4	4-25/64 111.5	1-3/16 12.7	1-1/2 38.1	1-11/16 42.9	3/8 M10	7/8 22.2	17/32 13.5	3-3/16 81.1	2-11/32 59.4	1-1/8 28.4	1-5/16 33.3
205	1 25mm	0.57 0.23	1-1/16 27	4-29/32 124.7	1-1/4 31.5	1-5/8 41.3	1-13/16 46.1	3/8 M10	1-1/8 28.6	35/64 13.9	3-17/32 89.8	2-45/64 68.8	1-9/64 29	1-7/16 36.5
206	1-3/16 1-1/4 30mm	0.83 0.82 0.38	1-3/16 30.2	5-31/64 139.2	1-11/32 34.1	1-7/8 47.6	2-1/16 52.4	3/8 M10	1-1/4 31.7	39/64 15.5	3-57/64 98.6	3-13/64 81.3	1-1/4 31.8	1-11/16 42.9
207	1-1/4 1-7/16 35mm	1.25 1.2 0.57	1-5/16 33.3	6-7/64 155.2	1-27/64 36.2	2 50.8	2-3/8 60.3	1/2 M12	1-1/4 31.7	5/8 15.9	4-15/64 107.6	3-45/64 94.1	1-9/32 32.5	2 50.8

FEATURES/BENEFITS PAGE B1-2	SELECTION PAGE B1-5	INTERCHANGE PAGE B1-88	ACCESSORIES PAGE B1-90
--------------------------------	------------------------	---------------------------	---------------------------

SELECTIONS/DIMENSIONS



E-Z KLEEN Mounted Bearings GTEZ NORMAL DUTY POLYMER HOUSED 4-BOLT FLANGE BEARINGS



Series	Shaft Size	Complete Unit		Unit Without Adapter		Adapter & Nut Assembly	
		Part No.	Description	Part No.	Description	Part No.	Description
204	3/4 20 mm	129706	F4B-GTEZ-012-PCR	129541	F4B-GTEZ-04-PCR	129967	AN-GT-04-012-CR
		129707	F4B-GTEZ-20M-PCR			129980	AN-GT-04-20M-CR
205	1 25 mm	129708	F4B-GTEZ-100-PCR	129542	F4B-GTEZ-05-PCR	129968	AN-GT-05-100-CR
		129709	F4B-GTEZ-25M-PCR			129981	AN-GT-05-25M-CR
206	1-1/8	068687	F4B-GTEZ-102-PCR	129543	F4B-GTEZ-06-PCR	129969	AN-GT-06-102-CR
	1-3/16	129710	F4B-GTEZ-103-PCR			129970	AN-GT-06-103-CR
	1-1/4	129711	F4B-GTEZ-104S-PCR			129971	AN-GT-06-104S-CR
	30 mm	129712	F4B-GTEZ-30M-PCR			129982	AN-GT-06-30M-CR
207	1-1/4	129713	F4B-GTEZ-104-PCR	129544	F4B-GTEZ-07-PCR	129972	AN-GT-07-104-CR
	1-3/8	@	F4B-GTEZ-106-PCR			129973	AN-GT-07-106-CR
	1-7/16	129714	F4B-GTEZ-107-PCR			129974	AN-GT-07-107-CR
	35 mm	129715	F4B-GTEZ-35M-PCR			129983	AN-GT-07-35M-CR
208	1-1/2 40 mm	129716	F4B-GTEZ-108-PCR	129545	F4B-GTEZ-08-PCR	129975	AN-GT-08-108-CR
		129717	F4B-GTEZ-40M-PCR			129984	AN-GT-08-40M-CR
209	1-11/16	129718	F4B-GTEZ-111-PCR	129546	F4B-GTEZ-09-PCR	129976	AN-GT-09-111-CR
	1-3/4	064584	F4B-GTEZ-112-PCR			129977	AN-GT-09-112-CR
	45 mm	129705	F4B-GTEZ-45M-PCR			129985	AN-GT-09-45M-CR
210	1-15/16	129719	F4B-GTEZ-115-PCR	129547	F4B-GTEZ-10-PCR	129978	AN-GT-10-115-CR
	2 50 mm	129395	F4B-GTEZ-200-PCR			129979	AN-GT-10-200-CR
		129720	F4B-GTEZ-50M-PCR			129986	AN-GT-10-50M-CR

@ Assembled to order

FEATURES/BENEFITS PAGE B1-2	SELECTION PAGE B1-5	INTERCHANGE PAGE B1-88	ACCESSORIES PAGE B1-90
--------------------------------	------------------------	---------------------------	---------------------------

SELECTION/DIMENSIONS



E-Z KLEEN Mounted Bearings GTEZ NORMAL DUTY POLYMER HOUSED 4-BOLT FLANGE BEARINGS

Bearing Quick Reference

E-Z KLEEN

GRIP TIGHT Adapter Ball Bearing

Set Screw Ball Bearing

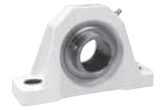
Eccentric Collar Ball Bearing

Series	Shaft Size	Weight lbs kg	A	B	C#	D	F Bolt Dia.	H	J	L	Z
204	3/4	0.50	1-15/32	3-3/8	1-23/32	2-1/2	3/8	17/32	35/64	1-1/2	1-25/32
	20 mm	0.30	37.3	85.7	43.7	63.5	M10	13.5	13.9	38.1	45.2
205	1	0.90	1-29/64	3-3/4	1-45/64	2-3/4	3/8	35/64	17/32	1-51/64	1-49/64
	25 mm	0.30	36.9	95.3	43.3	69.9	M10	13.9	13.5	45.6	44.8
206	1-1/8	1.20	1-39/64	4-1/4	1-55/64	3-1/4	3/8	39/64	35/64	2-5/64	1-29/32
	1-3/16 1-1/4 30 mm	0.50	40.9	108.0	47.2	82.6	M10	15.5	13.9	52.8	48.4
207	1-1/4	1.60	1-5/8	4-21/32	1-7/8	3-5/8	1/2	5/8	35/64	2-3/8	1-61/64
	1-3/8 1-7/16 35 mm	0.70	41.3	118.3	47.6	92.1	M12	15.9	13.9	60.3	49.6
208	1-1/2	2.00	1-27/32	5-1/8	2-7/64	4	1/2	43/64	37/64	2-5/8	2-5/32
	40 mm	0.90	46.8	130.2	53.6	101.6	M12	17.1	14.7	66.7	54.8
209	1-11/16	2.30	1-55/64	5-3/8	2-7/64	4-1/8	9/16	23/32	19/32	2-55/64	2-13/64
	1-3/4 45 mm	1.00	47.2	136.5	53.6	104.8	M14	18.3	15.1	72.6	56.0
210	1-15/16	2.30	1-55/64	5-5/8	2-1/4	4-3/8	5/8	49/64	39/64	3-1/8	2-11/32
	2 50 mm	1.10	47.2	142.7	57.2	111.0	M16	19.4	15.5	79.4	59.5

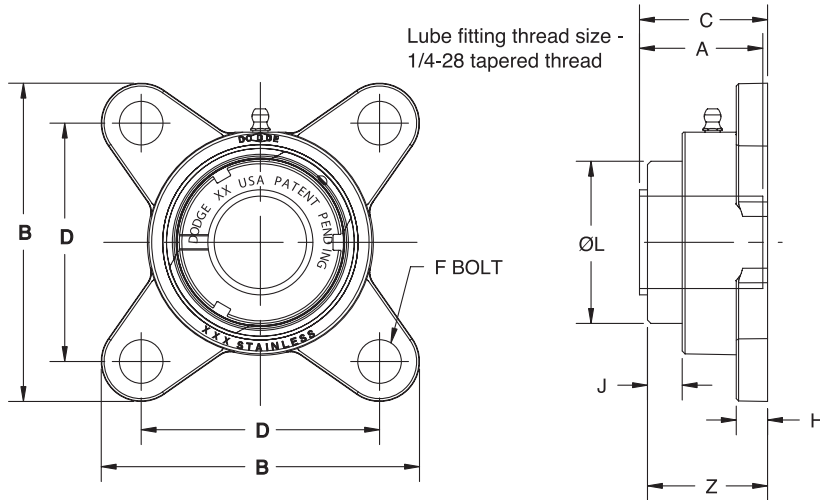
#C dimension will vary slightly depending on true shaft diameter.

FEATURES/BENEFITS PAGE B1-2	SELECTION PAGE B1-5	INTERCHANGE PAGE B1-88	ACCESSORIES PAGE B1-90
--------------------------------	------------------------	---------------------------	---------------------------

SELECTIONS/DIMENSIONS



E-Z KLEEN Mounted Bearings GTEZ NORMAL DUTY STAINLESS STEEL 4-BOLT FLANGE BEARINGS

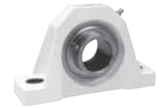


Series	Shaft Size	Complete Unit		Unit Without Adapter		Adapter & Nut Assembly	
		Part No.	Description	Part No.	Description	Part No.	Description
204	3/4	129721	F4B-GTEZ-012-SHCR	129567	F4B-GTEZ-04-SHCR	129967	AN-GT-04-012-CR
	20mm	129722	F4B-GTEZ-20M-SHCR			129980	AN-GT-04-20M-CR
205	1	129723	F4B-GTEZ-100-SHCR	129568	F4B-GTEZ-05-SHCR	129968	AN-GT-05-100-CR
	25mm	129724	F4B-GTEZ-25M-SHCR			129981	AN-GT-05-25M-CR
206	1 -1/8	@	F4B-GTEZ-102-SHCR	129569	F4B-GTEZ-06-SHCR	129969	AN-GT-06-102-CR
	1 -3/16	129725	F4B-GTEZ-103-SHCR			129970	AN-GT-06-103-CR
	1 -1/4	129726	F4B-GTEZ-104S-SHCR			129971	AN-GT-06-104S-CR
	30mm	129727	F4B-GTEZ-30M-SHCR			129982	AN-GT-06-30M-CR
207	1 -1/4	129728	F4B-GTEZ-104-SHCR	129570	F4B-GTEZ-07-SHCR	129972	AN-GT-07-104-CR
	1 -3/8	064993	F4B-GTEZ-106-SHCR			129973	AN-GT-07-106-CR
	1 -7/16	129729	F4B-GTEZ-107-SHCR			129974	AN-GT-07-107-CR
	35mm	129730	F4B-GTEZ-35M-SHCR			129983	AN-GT-07-35M-CR
208	1 -1/2	129731	F4B-GTEZ-108-SHCR	129571	F4B-GTEZ-08-SHCR	129975	AN-GT-08-108-CR
	40mm	129732	F4B-GTEZ-40M-SHCR			129984	AN-GT-08-40M-CR
210	1-15/16	129733	F4B-GTEZ-115-SHCR	129572	F4B-GTEZ-10-SHCR	129978	AN-GT-10-115-CR
	2	062901	F4B-GTEZ-200-SHCR			129979	AN-GT-10-200-CR
	50mm	129734	F4B-GTEZ-50M-SHCR			129986	AN-GT-10-50M-CR

@ Assembled to order

FEATURES/BENEFITS PAGE B1-2	SELECTION PAGE B1-5	INTERCHANGE PAGE B1-88	ACCESSORIES PAGE B1-90
--------------------------------	------------------------	---------------------------	---------------------------

SELECTION/DIMENSIONS



E-Z KLEEN Mounted Bearings GTEZ NORMAL DUTY STAINLESS STEEL 4-BOLT FLANGE BEARINGS

Bearing Quick Reference

E-Z KLEEN

GRIP TIGHT Adapter Ball Bearing

Set Screw Ball Bearing

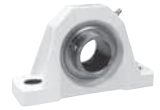
Eccentric Collar Ball Bearing

Series	Shaft Size	Weight lbs kg	A	B	C#	D	F Bolt Dia.	H	J	L	Z
204	3/4	1.23	1 15/32	3 11/32	1 33/64	2-1/2	3/8	21/64	19/32	1 1/2	1-37/64
	20mm	0.55	37.3	84.9	38.5	63.5	M10	8.3	15.1	38.1	40.1
205	1	1.69	1 29/64	3 3/4	1 35/64	2 3/4	3/8	23/64	35/64	1 51/64	1-39/64
	25mm	0.73	36.9	95.3	39.3	69.9	M10	9.1	13.9	45.6	40.9
206	1 -1/8	2.41	1 39/64	4 5/32	1 47/64	3 1/4	3/8	23/64	35/64	2-5/64	1-25/32
	1 -3/16 1 -1/4 30mm	1.07	40.9	105.6	44.1	82.6	M10	9.1	13.9	52.8	45.2
207	1 -1/4	3.42	1 5/8	4 11/16	1 25/32	3 5/8	1/2	27/64	35/64	2-3/8	1-55/64
	1 -3/8 1 -7/16 35mm	1.56	41.3	119.1	45.2	92.1	M12	10.7	13.9	60.3	47.2
208	1 -1/2	4.21	1 27/32	5 1/16	1 63/64	4	1/2	27/64	37/64	2-5/8	2-1/32
	40mm	1.91	46.8	128.6	50.4	101.6	M12	10.7	14.7	66.7	51.6
210	1-15/16	5.33	1 55/64	5 43/64	2	4 3/8	5/8	31/64	19/32	3-1/8	2-5/64
	2 50mm	2.39	47.2	144.1	50.8	111.1	M16	12.3	15.1	79.4	52.8

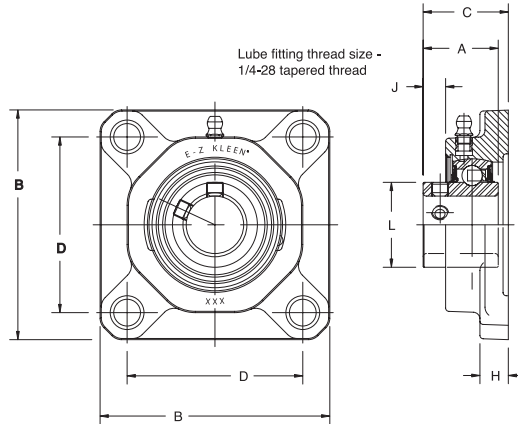
#C dimension will vary slightly depending on true shaft diameter.

FEATURES/BENEFITS PAGE B1-2	SELECTION PAGE B1-5	INTERCHANGE PAGE B1-88	ACCESSORIES PAGE B1-90
--------------------------------	------------------------	---------------------------	---------------------------

SELECTIONS/DIMENSIONS



E-Z KLEEN Mounted Bearings SCEZ NORMAL DUTY POLYMER HOUSED 4-BOLT FLANGE BEARINGS



Series	Shaft Size	With Corrosion Resistant Insert		With Insert With Flingers	
		Part No.	Description	Part No.	Description
204	1/2	@	F4B-SCEZ-008L-PCR*	@	F4B-SCEZ-008L-P
	5/8	@	F4B-SCEZ-010L-PCR*	@	F4B-SCEZ-010L-P
	3/4	127515	F4B-SCEZ-012-PCR	056440	F4B-SCEZ-012-P
	20 mm	127556	<i>F4B-SCEZ-20M-PCR</i>	@	<i>F4B-SCEZ-20M-P</i>
205	7/8	068424	F4B-SCEZ-014-PCR*	@	F4B-SCEZ-014-P
	15/16	@	F4B-SCEZ-015-PCR*	@	F4B-SCEZ-015-P
	1	127516	F4B-SCEZ-100-PCR	058910	F4B-SCEZ-100-P
	25 mm	127557	<i>F4B-SCEZ-25M-PCR</i>	@	<i>F4B-SCEZ-25M-P</i>
206	1-1/8	@	F4B-SCEZ-102-PCR*	@	F4B-SCEZ-102-P
	1-3/16	127517	F4B-SCEZ-103-PCR	@	F4B-SCEZ-103-P
	1-1/4	127518	F4B-SCEZ-104S-PCR	058594	F4B-SCEZ-104S-P
	30 mm	127558	<i>F4B-SCEZ-30M-PCR</i>	@	<i>F2B-SCEZ-30M-P</i>
207	1-1/4	127519	F4B-SCEZ-104-PCR	@	F4B-SCEZ-104-P
	1-5/16	@	F4B-SCEZ-105-PCR*	@	F4B-SCEZ-105-P
	1-3/8	058294	F4B-SCEZ-106-PCR*	065780	F4B-SCEZ-106-P
	1-7/16	127520	F4B-SCEZ-107-PCR	@	F4B-SCEZ-107-P
	35 mm	127559	<i>F4B-SCEZ-35M-PCR</i>	@	<i>F4B-SCEZ-35M-P</i>
208	1-1/2	127521	F4B-SCEZ-108-PCR	058595	F4B-SCEZ-108-P
	1-5/8	@	F4B-SCEZ-110-PCR*	@	F4B-SCEZ-110-P
	40 mm	127560	<i>F4B-SCEZ-40M-PCR</i>	@	<i>F4B-SCEZ-40M-P</i>
209	1-5/8	@	F4B-SCEZ-110L-PCR*	@	F4B-SCEZ-110L-P
	1-11/16	127522	F4B-SCEZ-111-PCR	@	F4B-SCEZ-111-P
	1-3/4	057907	F4B-SCEZ-112-PCR*	@	F4B-SCEZ-112-P
	45 mm	127561	<i>F4B-SCEZ-45M-PCR</i>	@	<i>F4B-SCEZ-45M-P</i>
210	1-15/16	127523	F4B-SCEZ-115-PCR	@	F4B-SCEZ-115-P
	2	057899	F4B-SCEZ-200-PCR	@	F4B-SCEZ-200-P
	50 mm	127562	<i>F4B-SCEZ-50M-PCR</i>	@	<i>F4B-SCEZ-50M-P</i>

@ Assembled to order

* 20 piece minimum

FEATURES/BENEFITS PAGE B1-2	SELECTION PAGE B1-5	INTERCHANGE PAGE B1-88	ACCESSORIES PAGE B1-90
--------------------------------	------------------------	---------------------------	---------------------------

SELECTION/DIMENSIONS

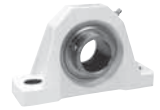


E-Z KLEEN Mounted Bearings SCEZ NORMAL DUTY POLYMER HOUSED 4-BOLT FLANGE BEARINGS

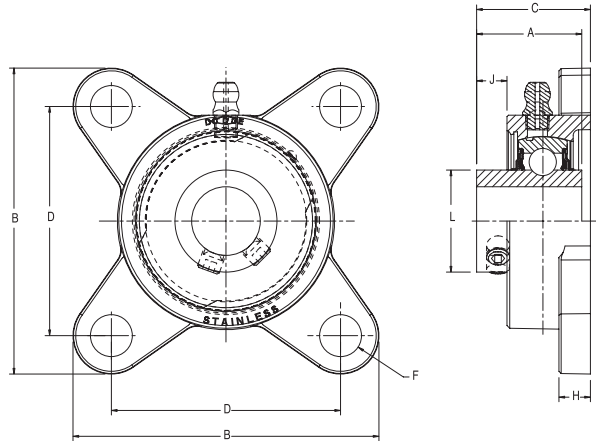
Series	Shaft Size	Weight lbs kg	A	B	C	D	F Bolt Dia.	H	J	L
204	1/2	0.59	1-5/32	3-3/8	1-29/64	2-1/2	3/8	17/32	19/64	1-1/8
	5/8	0.57								
	3/4	0.55								
	20 mm	0.27	29.4	85.9	36.8	63.5	M10	13.5	7.6	28.6
205	7/8	0.71	1-3/16	3-3/4	1-1/2	2-3/4	3/8	35/64	21/64	1-21/64
	15/16	0.69								
	1	0.67								
	25 mm	0.32	30.2	95.3	38.1	70.0	M10	13.9	8.4	33.7
206	1-1/8	0.89	1-25/64	4-1/4	1-11/16	3-1/4	3/8	39/64	27/64	1-37/64
	1-3/16	0.86								
	1-1/4	0.84								
	30 mm	0.39	35.3	108.1	42.8	82.5	M10	15.5	10.6	40.1
207	1-1/4	1.40	1-17/32	4-21/32	1-53/64	3-5/8	1/2	5/8	33/64	1-27/32
	1-5/16	1.35								
	1-3/8	1.30								
	35 mm	0.61	38.9	118.1	46.5	92.0	M12	15.9	13.2	46.8
208	1-1/2	1.82	1-11/16	5-1/8	2	4	1/2	43/64	33/64	2-3/64
	1-5/8	1.68								
	40 mm	0.76	42.9	130.0	50.9	101.5	M12	16.9	13.3	52.0
	1-5/8	2.09	1-23/32	5-3/8	2-1/32	4-1/8	9/16	23/32	9/16	2-7/32
209	1-11/16	2.00								
	1-3/4	1.93								
	45 mm	0.88	43.7	136.7	51.7	105.0	M14	18.2	14.1	56.4
	1-15/16	2.12	1-3/4	5-5/8	2-13/64	4-3/8	5/8	49/64	19/32	2-7/16
210	2	2.03								
	50 mm	0.96	44.5	142.7	56.0	111.0	M16	19.3	15.1	61.9

FEATURES/BENEFITS PAGE B1-2	SELECTION PAGE B1-5	INTERCHANGE PAGE B1-88	ACCESSORIES PAGE B1-90
--------------------------------	------------------------	---------------------------	---------------------------

SELECTIONS/DIMENSIONS



E-Z KLEEN Mounted Bearings SCEZ NORMAL DUTY STAINLESS STEEL 4-BOLT FLANGE BEARINGS



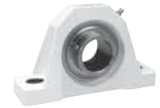
Series	Shaft Size	With Corrosion Resistant Insert		With Insert With Flingers	
		Part No.	Description	Part No.	Description
204	1/2	@	F4B-SCEZ-008L-SHCR*	@	F4B-SCEZ-008L-SH
	5/8	@	F4B-SCEZ-010L-SHCR*	@	F4B-SCEZ-010L-SH
	3/4	127689	F4B-SCEZ-012-SHCR	056806	F4B-SCEZ-012-SH
	20mm	127709	F4B-SCEZ-20M-SHCR	@	F4B-SCEZ-20M-SH
205	7/8	065600	F4B-SCEZ-014-SHCR*	@	F4B-SCEZ-014-SH
	15/16	@	F4B-SCEZ-015-SHCR*	@	F4B-SCEZ-015-SH
	1	127690	F4B-SCEZ-100-SHCR	056593	F4B-SCEZ-100-SH
	25mm	127710	F4B-SCEZ-25M-SHCR	@	F4B-SCEZ-25M-SH
206	1-1/8	@	F4B-SCEZ-102-SHCR*	049477	F4B-SCEZ-102-SH
	1-3/16	127691	F4B-SCEZ-103-SHCR	056807	F4B-SCEZ-103-SH
	1-1/4	127692	F4B-SCEZ-104S-SHCR	@	F4B-SCEZ-104S-SH
	30mm	127711	F4B-SCEZ-30M-SHCR	@	F4B-SCEZ-30M-SH
207	1-1/4	127693	F4B-SCEZ-104-SHCR	056633	F4B-SCEZ-104-SH
	1-3/8	@	F4B-SCEZ-106-SHCR*	@	F4B-SCEZ-106-SH
	1-7/16	127694	F4B-SCEZ-107-SHCR	056808	F4B-SCEZ-107-SH
	35mm	127712	F4B-SCEZ-35M-SHCR	@	F4B-SCEZ-35M-SH
208	1-1/2	127695	F4B-SCEZ-108-SHCR	056809	F4B-SCEZ-108-SH
	1-5/8	@	F4B-SCEZ-110-SHCR*	062340	F4B-SCEZ-110-SH
	40mm	127713	F4B-SCEZ-40M-SHCR	@	F4B-SCEZ-40M-SH
	210	1-11/16	@	F4B-SCMEZ-111-SHCR*	@
1-3/4		@	F4B-SCMEZ-112-SHCR*	065945	F4B-SCMEZ-112-SH
1-15/16		127696	F4B-SCEZ-115-SHCR	056810	F4B-SCEZ-115-SH
2		062542	F4B-SCEZ-200-SHCR	@	
50mm		127714	F4B-SCEZ-50M-SHCR	@	F4B-SCEZ-50M-SH

@ Assembled to order

*20 piece minimum

FEATURES/BENEFITS PAGE B1-2	SELECTION PAGE B1-5	INTERCHANGE PAGE B1-88	ACCESSORIES PAGE B1-90
--------------------------------	------------------------	---------------------------	---------------------------

SELECTION/DIMENSIONS

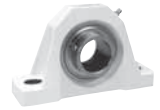


E-Z KLEEN Mounted Bearings SCEZ NORMAL DUTY STAINLESS STEEL 4-BOLT FLANGE BEARINGS

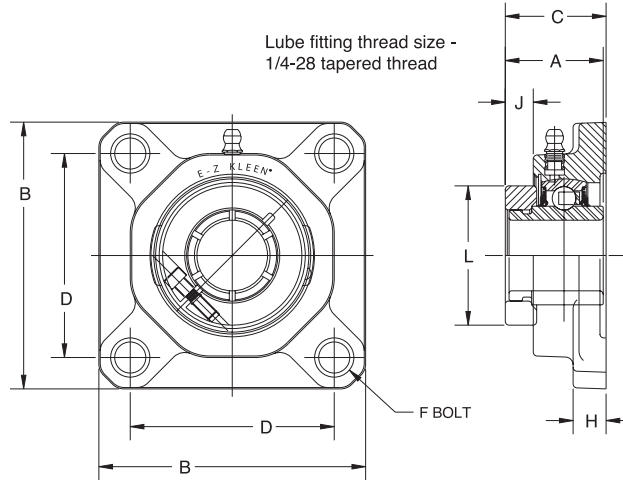
Series	Shaft Size	Weight lbs	A	B	C	D	F Bolt	H	J	L
204	1/2	1.16	1-5/32	3-11/32	1-1/4	2-1/2	3/8	21/64	11/32	1-1/8
	5/8	1.12								
	3/4	1.08								
	20mm	0.49	29.4	84.9	31.8	63.5	M10	8.3	8.7	28.6
205	7/8	1.47	1-3/16	3-3/4	1-11/32	2-3/4	3/8	23/64	3/8	1-21/64
	15/16	1.43								
	1	1.39								
	25mm	0.63	30.2	95.3	34.1	69.9	M10	9.1	9.5	33.7
206	1-1/8	2.13	1-25/64	4-5/32	1-9/16	3-1/4	3/8	23/64	27/64	1-37/64
	1-3/16	2.09								
	1-1/4	2.05								
	30mm	0.95	35.3	105.6	39.7	82.6	M10	9.1	10.7	40.1
207	1-1/4	2.95	1-17/32	4-11/16	1-3/4	3-5/8	1/2	27/64	17/32	1-27/32
	1-3/8	2.83								
	1-7/16	2.78								
	35mm	1.29	38.9	119.1	44.5	92.1	M12	10.7	13.5	46.8
208	1-1/2	3.70	1-11/16	5-1/16	1-7/8	4	1/2	27/64	17/32	2-3/64
	1-5/8									
	40mm	1.64	42.9	128.6	47.6	101.6	M12	10.7	13.5	52.0
210	1-11/16	4.64	1-3/4	5-43/64	1-61/64	4-3/8	5/8	31/64	19/32	2-7/16
	1-3/4	4.40								
	1-15/16	4.60								
	50mm	2.07	44.5	144.1	49.6	111.1	M16	12.3	15.1	61.9

FEATURES/BENEFITS PAGE B1-2	SELECTION PAGE B1-5	INTERCHANGE PAGE B1-88	ACCESSORIES PAGE B1-90
--------------------------------	------------------------	---------------------------	---------------------------

SELECTIONS/DIMENSIONS



E-Z KLEEN Mounted Bearings DLEZ NORMAL DUTY POLYMER HOUSED 4-BOLT FLANGE BEARINGS



Series	Shaft Size	With Corrosion Resistant Insert		Standard Insert With Flingers	
		Part No.	Description	Part No.	Description
204	3/4	127593	F4B-DLEZ-012-PCR	@	F4B-DLEZ-012-P
	20 mm	127634	F4B-DLEZ-20M-PCR	@	F4B-DLEZ-20M-P
205	7/8	@	F4B-DLEZ-014-PCR*	@	F4B-DLEZ-014-P
	15/16	@	F4B-DLEZ-015-PCR*	@	F4B-DLEZ-015-P
	1	127594	F4B-DLEZ-100-PCR	@	F4B-DLEZ-100-P
	25 mm	127635	F4B-DLEZ-25M-PCR	@	F4B-DLEZ-25M-P
206	1-1/8	@	F4B-DLEZ-102-PCR*	@	F4B-DLEZ-102-P
	1-3/16	127595	F4B-DLEZ-103-PCR	@	F4B-DLEZ-103-P
	1-1/4	127596	F4B-DLEZ-104S-PCR	@	F4B-DLEZ-104S-P
	30 mm	127636	F4B-DLEZ-30M-PCR	@	F4B-DLEZ-30M-P
207	1-1/4	127597	F4B-DLEZ-104-PCR	@	F4B-DLEZ-104-P
	1-3/8	@	F4B-DLEZ-106-PCR*	@	F4B-DLEZ-106-P
	1-7/16	127598	F4B-DLEZ-107-PCR	@	F4B-DLEZ-107-P
	35 mm	127637	F4B-DLEZ-35M-PCR	@	F4B-DLEZ-35M-P
208	1-1/2	127599	F4B-DLEZ-108-PCR	@	F4B-DLEZ-108-P
	40 mm	127638	F4B-DLEZ-40M-PCR	@	F4B-DLEZ-40M-P
209	1-5/8	@	F4B-DLEZ-110L-PCR*	@	F4B-DLEZ-110L-P
	1-11/16	127600	F4B-DLEZ-111-PCR	@	F4B-DLEZ-111-P
	1-3/4	@	F4B-DLEZ-112-PCR*	@	F4B-DLEZ-112-P
	45 mm	127639	F4B-DLEZ-45M-PCR	@	F4B-DLEZ-45M-P
210	1-15/16	127601	F4B-DLEZ-115-PCR	@	F4B-DLEZ-115-P
	2	058514	F4B-DLEZ-200-PCR*	@	F4B-DLEZ-200-P
	50 mm	127640	F4B-DLEZ-50M-PCR	@	F4B-DLEZ-50M-P

@ Assembled to order

* 20 piece minimum

FEATURES/BENEFITS PAGE B1-2	SELECTION PAGE B1-5	INTERCHANGE PAGE B1-88	ACCESSORIES PAGE B1-90
--------------------------------	------------------------	---------------------------	---------------------------

SELECTION/DIMENSIONS



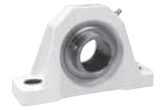
E-Z KLEEN Mounted Bearings

DLEZ NORMAL DUTY POLYMER HOUSED 4-BOLT FLANGE BEARINGS

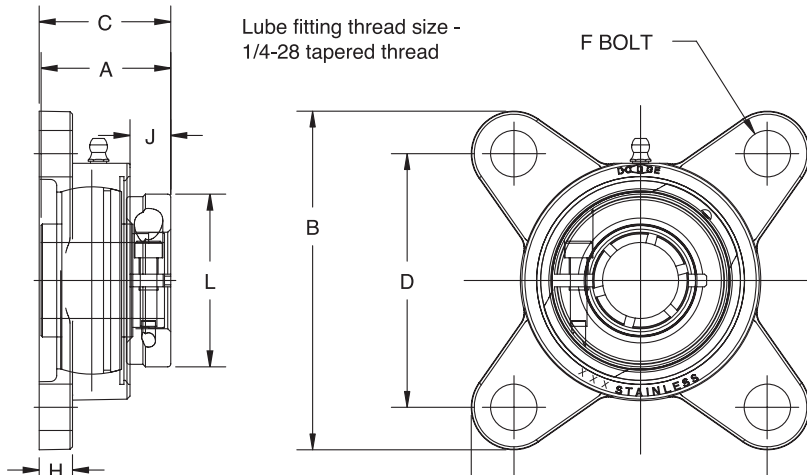
Series	Shaft Size	Weight lbs kg	A	B	C	D	F Bolt Dia.	H	J	L
204	3/4	0.50	1-9/32	3-3/8	1-29/64	2-1/2	3/8	17/32	19/64	1-45/64
	20 mm	0.30	32.5	85.9	36.8	63.5	M10	13.5	7.6	43.3
205	7/8	0.90	1-7/16	3-3/4	1-1/2	2-3/4	3/8	35/64	21/64	2
	15/16	0.80								
	1	0.70								
	25 mm	0.30	36.5	95.3	38.1	70.0	M10	13.9	8.4	50.8
206	1-1/8	1.20	1-9/16	4-1/4	1-11/16	3-1/4	3/8	39/64	27/64	2-7/32
	1-3/16	1.10								
	1-1/4	1.10								
	30 mm	0.50	39.7	108.1	42.8	82.5	M10	15.5	10.6	56.4
207	1-1/4	1.60	1-3/4	4-21/32	1-53/64	3-5/8	1/2	5/8	33/64	2-11/16
	1-3/8	1.50								
	1-7/16	1.40								
	35 mm	0.70	44.5	118.1	46.5	92.0	M12	15.9	13.2	68.3
208	1-1/2	2.00	2	5-1/8	2	4	1/2	43/64	33/64	2-47/64
	40 mm	0.90	50.8	130.0	50.9	101.5	M12	16.9	13.3	69.5
209	1-5/8	2.30	2	5-3/8	2-1/32	4-1/8	9/16	23/32	9/16	2-63/64
	1-11/16	2.20								
	1-3/4	2.10								
	45 mm	1.00	50.8	136.7	51.7	105.0	M14	18.2	14.1	75.8
210	1-15/16	2.30	2-3/32	5-5/8	2-13/64	4-3/8	5/8	49/64	19/32	3-15/64
	2	2.20								
	50 mm	1.10	53.2	142.7	56.0	111.0	M16	19.3	15.1	82.1

FEATURES/BENEFITS PAGE B1-2	SELECTION PAGE B1-5	INTERCHANGE PAGE B1-88	ACCESSORIES PAGE B1-90
--------------------------------	------------------------	---------------------------	---------------------------

SELECTIONS/DIMENSIONS



E-Z KLEEN Mounted Bearings DLEZ NORMAL DUTY STAINLESS STEEL 4-BOLT FLANGE BEARINGS

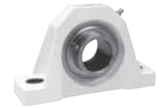


Series	Shaft Size	Part No.	Description
204	3/4	127731	F4B-DLEZ-012-SHCR
	20mm	127751	F4B-DLEZ-20M-SHCR
205	7/8	@	F4B-DLEZ-014-SHCR*
	15/16	@	F4B-DLEZ-015-SHCR*
	1	127732	F4B-DLEZ-100-SHCR
	25mm	127752	F4B-DLEZ-25M-SHCR
206	1-1/8	@	F4B-DLEZ-102-SHCR*
	1-3/16	127733	F4B-DLEZ-103-SHCR
	1-1/4	127734	F4B-DLEZ-104S-SHCR
	30mm	127753	F4B-DLEZ-30M-SHCR
207	1-1/4	127735	F4B-DLEZ-104-SHCR
	1-3/8	@	F4B-DLEZ-106-SHCR*
	1-7/16	127736	F4B-DLEZ-107-SHCR
208	35mm	127754	F4B-DLEZ-35M-SHCR
	1-1/2	127737	F4B-DLEZ-108-SHCR
	40mm	127755	F4B-DLEZ-40M-SHCR
210	1-11/16	@	F4B-DLEZM-111-SHCR*
	1-15/16	127738	F4B-DLEZ-115-SHCR
	50mm	127756	F4B-DLEZ-50M-SHCR

@ Assembled to order
*20 piece minimum

FEATURES/BENEFITS PAGE B1-2	SELECTION PAGE B1-5	INTERCHANGE PAGE B1-88	ACCESSORIES PAGE B1-90
--------------------------------	------------------------	---------------------------	---------------------------

SELECTION/DIMENSIONS



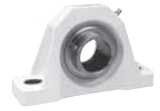
E-Z KLEEN Mounted Bearings

DLEZ NORMAL DUTY STAINLESS STEEL 4-BOLT FLANGE BEARINGS

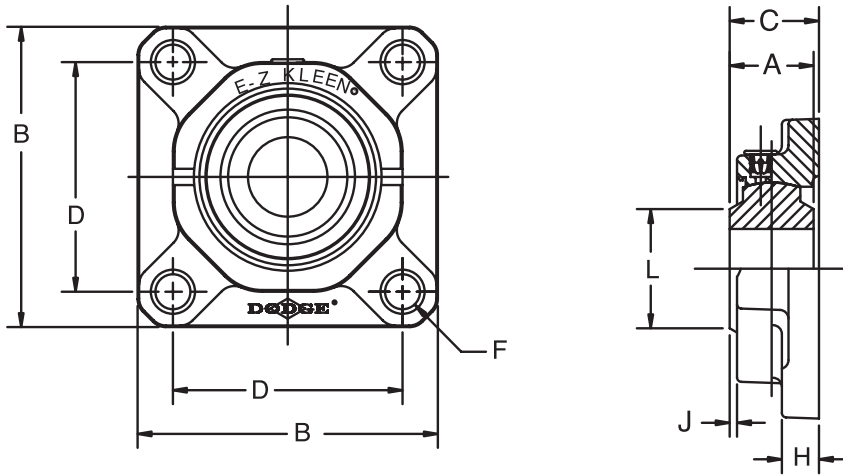
Series	Shaft Size	Weight lbs kg	A	B	C	D	F Bolt Dia.	H	J	L
204	3/4	1.23	1-9/32	3-11/32	1-19/64	2-1/2	3/8	21/64	13/32	1-45/64
	20mm	0.55	32.5	84.9	32.9	63.5	M10	8.3	10.3	43.3
205	7/8	1.69	1-7/16	3-3/4	1-25/64	2-3/4	3/8	23/64	31/64	2
	15/16	1.65								
	1	1.61								
	25mm	0.73	36.5	95.3	35.3	69.9	M10	9.1	12.3	50.8
206	1-1/8	2.41	1-9/16	4-5/32	1-19/32	3-1/8	3/8	23/64	29/64	2-7/32
	1-3/16	2.36								
	1-1/4	2.31								
	30mm	1.07	39.7	105.6	40.5	82.6	M10	9.1	11.5	56.4
207	1-1/4	3.42	1-3/4	4-11/16	1-25/32	3-5/8	1/2	27/64	9/16	2-11/16
	1-3/8	3.29								
	1-7/16	3.25								
	35mm	1.56	44.5	119.1	45.2	92.1	M12	10.7	14.3	68.3
208	1-1/2	4.21	2	5-1/16	2-1/32	4	1/2	27/64	11/16	2-47/64
	40mm	1.91								
210	1-11/16	5.33	2-3/32	5-43/64	2-9/64	4-3/8	5/8	31/64	25/32	3-15/64
	1-15/16	5.28								
	50mm	2.39								

FEATURES/BENEFITS PAGE B1-2	SELECTION PAGE B1-5	INTERCHANGE PAGE B1-88	ACCESSORIES PAGE B1-90
--------------------------------	------------------------	---------------------------	---------------------------

SELECTIONS/DIMENSIONS



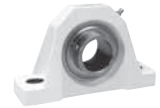
E-Z KLEEN Mounted Bearings PSEZ POLYMER SLEEVE POLYMER HOUSED 4-BOLT FLANGE BEARINGS



Series	Shaft Size	Part No.	Description
204	3/4	034716	F4B-PSEZ-012-P
	20mm	034759	F4B-PSEZ-20M-P
205	1	034717	F4B-PSEZ-100-P
	25mm	034760	F4B-PSEZ-25M-P
206	1-3/16	034718	F4B-PSEZ-103-P
	1-1/4	034719	F4B-PSEZ-104S-P
	30mm	034761	F4B-PSEZ-30M-P
207	1-1/4	034720	F4B-PSEZ-104-P
	1-7/16	034721	F4B-PSEZ-107-P
	35mm	034762	F4B-PSEZ-35M-P
208	1-1/2	034722	F4B-PSEZ-108-P
	40mm	034763	F4B-PSEZ-40M-P
210	1-15/16	034725	F4B-PSEZ-115-P
	50mm	034765	F4B-PSEZ-50M-P

FEATURES/BENEFITS PAGE B1-2	SELECTION PAGE B1-5	INTERCHANGE PAGE B1-88	ACCESSORIES PAGE B1-90
--------------------------------	------------------------	---------------------------	---------------------------

SELECTION/DIMENSIONS



E-Z KLEEN Mounted Bearings PSEZ POLYMER SLEEVE POLYMER HOUSED 4-BOLT FLANGE BEARINGS

Bearing Quick Reference

E-Z KLEEN

GRIP TIGHT Adapter Ball Bearing

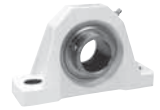
Set Screw Ball Bearing

Eccentric Collar Ball Bearing

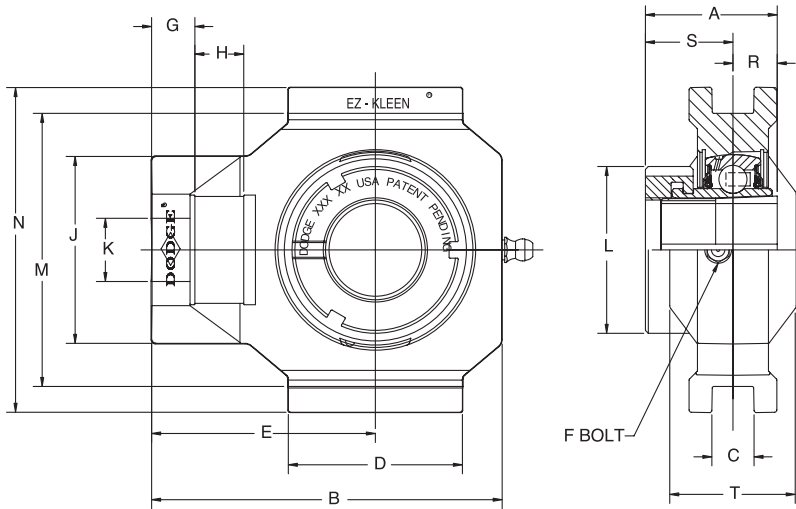
Series	Shaft Size	Weight lbs kg	A	B	C	D	F Bolt Dia	H	J	L
204	3/4	0.48	1	3-3/8	1-7/32	2-1/2	3/8	17/32	5/64	1-5/16
	20mm	0.22	25.4	85.9	31.1	63.5	M10	13.5	1.9	33.3
205	1	0.55	1-1/16	3-3/4	1-17/64	2-3/4	3/8	35/64	1/8	1-7/16
	25mm	0.25	27	95.3	32.3	70.0	M10	13.9	2.6	36.5
206	1-3/16	0.89	1-3/16	4-1/4	1-3/8	3-1/4	3/8	39/64	7/64	1-11/16
	1-1/4	0.88								
	30mm	0.40	30.2	108.0	34.9	82.5	M10	15.5	2.6	42.9
207	1-1/4	0.97	1-5/16	4-21/32	1-29/64	3-5/8	1/2	5/8	9/64	2.0
	1-7/16	0.92								
	35mm	0.44	33.3	118.1	37.0	92.0	M12	15.9	3.7	50.8
208	1-1/2	1.23	1-1/2	5-1/8	1-21/32	4.0	1/2	43/64	1/4	2.0
	40mm	0.56	38.1	130.0	42.2	101.5	M12	16.9	4.6	50.8
210	1-15/16	1.35	1-5/8	5-5/8	1-55/64	4-3/8	5/8	49/64	1/4	2-9/16
	50mm	0.61	41.3	142.7	47.3	111.0	M16	19.3	6.4	65.1

FEATURES/BENEFITS PAGE B1-2	SELECTION PAGE B1-5	INTERCHANGE PAGE B1-88	ACCESSORIES PAGE B1-90
--------------------------------	------------------------	---------------------------	---------------------------

SELECTIONS/DIMENSIONS



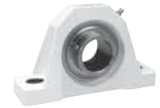
E-Z KLEEN Mounted Bearings GTEZ NORMAL DUTY POLYMER HOUSED WIDE SLOT TAKE-UP BEARINGS



Series	Shaft Size	With Corrosion Resistant Insert		Unit without Adapter & Nut		Adapter & Nut Assembly	
		Part No.	Description	Part No.	Description	Part No.	Description
204	3/4 20 mm	136315	WSTU-GTEZ-012-PCR	136327	WSTU-GTEZ-04-PCR	129967	AN-GT-04-012-CR
		136323	WSTU-GTEZ-20M-PCR			129980	AN-GT-04-20M-CR
205	1 25 mm	136316	WSTU-GTEZ-100-PCR	136328	WSTU-GTEZ-05-PCR	129968	AN-GT-05-100-CR
		136324	WSTU-GTEZ-25M-PCR			129981	AN-GT-05-25M-CR
206	1-1/8	136317	WSTU-GTEZ-102-PCR	136329	WSTU-GTEZ-06-PCR	129969	AN-GT-06-102-CR
	1-3/16	136318	WSTU-GTEZ-103-PCR			129970	AN-GT-06-103-CR
	1-1/4	136319	WSTU-GTEZ-104S-PCR			129971	AN-GT-06-104S-CR
	30 mm	136325	WSTU-GTEZ-30M-PCR			129982	AN-GT-06-30M-CR
207	1-1/4	136320	WSTU-GTEZ-104-PCR	136330	WSTU-GTEZ-07-PCR	129972	AN-GT-07-104-CR
	1-3/8	136321	WSTU-GTEZ-106-PCR			129973	AN-GT-07-106-CR
	1-7/16	136322	WSTU-GTEZ-107-PCR			129974	AN-GT-07-107-CR
	35 mm	136326	WSTU-GTEZ-35M-PCR			129983	AN-GT-07-35M-CR

FEATURES/BENEFITS PAGE B1-2	SELECTION PAGE B1-5	INTERCHANGE PAGE B1-88	ACCESSORIES PAGE B1-90
--------------------------------	------------------------	---------------------------	---------------------------

SELECTION/DIMENSIONS



E-Z KLEEN Mounted Bearings GTEZ NORMAL DUTY POLYMER HOUSED WIDE SLOT TAKE-UP BEARINGS

Bearing Quick Reference

E-Z KLEEN

GRIP TIGHT Adapter Ball Bearing

Set Screw Ball Bearing

Eccentric Collar Ball Bearing

Series	Shaft Size	Weight lbs kg	Take-Up Frame No. Ref.	A	B	C**	D	E	F Thd Shaft	G
204	3/4	0.90	WS300	1-15/32	3-13/16	17/32	2	2-1/2	5/8	1/2
	20 mm	0.40		37.3	96.8	13.5	50.8	63.5	15.9	12.7
205	1	1.20	WS300	1-29/64	3-15/16	17/32	2	2-9/16	5/8	1/2
	25 mm	0.50		36.9	100.1	13.5	50.8	65.0	15.9	12.7
206	1-1/8	1.80	WS308	1-39/64	4-1/2	17/32	2-1/4	2-7/8	3/4	1/2
	1-3/16	1.70								
	1-1/4	1.60								
	30 mm	0.80	40.9	114.3	13.5	57.2	73.0	19.1	12.7	
207	1-1/4	2.40	WS308	1-5/8	4-15/16	17/32	2-1/4	3-1/8	3/4	1/2
	1-3/8	2.30								
	1-7/16	2.30								
	35 mm	1.08	41.3	125.2	13.5	57.2	79.2	19.1	12.7	

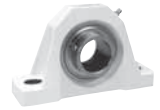
Series	Shaft Size	H	J	K	L	M**	N	R#	S#	T
204	3/4	5/8	2-3/32	1-9/64	1-1/2	3	3-5/8	31/64	63/64	1-3/8
	20 mm	15.9	53.3	29.0	38.1	76.2	92.1	12.3	25.0	35.1
205	1	5/8	2-1/8	1 9/64	1-51/64	3	3-5/8	1/2	61/64	1-3/8
	25 mm	15.9	53.8	29.0	45.6	76.2	92.1	12.8	24.2	35.1
206	1-1/8	5/8	2-3/8	1-3/8	2-5/64	3 1/2	4-1/4	17/32	1-5/64	1-5/8
	1-3/16									
	1-1/4									
	30 mm	15.9	61.2	34.8	52.8	88.9	108.0	13.5	27.4	41.1
207	1-1/4	5/8	2-27/64	1-3/8	2-3/8	3 1/2	4-1/4	9/16	1-1/16	1-5/8
	1-3/8									
	1-7/16									
	35 mm	15.9	61.5	34.8	60.3	88.9	108.0	14.3	27.0	41.1

R & S dimension will vary slightly depending on true shaft diameter

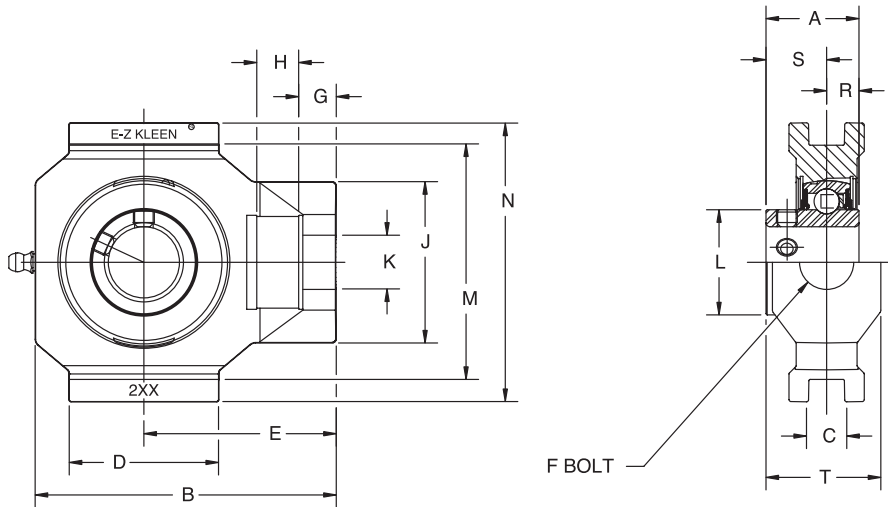
** + or - .020

FEATURES/BENEFITS PAGE B1-2	SELECTION PAGE B1-5	INTERCHANGE PAGE B1-88	ACCESSORIES PAGE B1-90
--------------------------------	------------------------	---------------------------	---------------------------

SELECTIONS/DIMENSIONS



E-Z KLEEN Mounted Bearings SCEZ NORMAL DUTY POLYMER HOUSED WIDE SLOT TAKE-UP BEARINGS

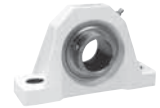


Series	Shaft Size	With Corrosion Resistant Insert		Standard Insert With Flingers	
		Part No.	Description	Part No.	Description
204	1/2	@	WSTU-SCEZ-008L-PCR*	@	WSTU-SCEZ-008L-P
	5/8	@	WSTU-SCEZ-010L-PCR*	@	WSTU-SCEZ-010L-P
	3/4	127539	WSTU-SCEZ-012-PCR	@	WSTU-SCEZ-012-P
	20 mm	127574	WSTU-SCEZ-20M-PCR	@	WSTU-SCEZ-20M-P
205	7/8	@	WSTU-SCEZ-014-PCR*	@	WSTU-SCEZ-014-P
	15/16	@	WSTU-SCEZ-015-PCR*	@	WSTU-SCEZ-015-P
	1	127540	WSTU-SCEZ-100-PCR	058940	WSTU-SCEZ-100-P
	25 mm	127575	WSTU-SCEZ-25M-PCR	@	WSTU-SCEZ-25M-P
206	1-1/8	@	WSTU-SCEZ-102-PCR*	@	WSTU-SCEZ-102-P
	1-3/16	127541	WSTU-SCEZ-103-PCR	@	WSTU-SCEZ-103-P
	1-1/4	127542	WSTU-SCEZ-104S-PCR	@	WSTU-SCEZ-104S-P
	30 mm	127576	WSTU-SCEZ-30M-PCR	@	WSTU-SCEZ-30M-P
207	1-1/4	127543	WSTU-SCEZ-104-PCR	@	WSTU-SCEZ-104-P
	1-5/16	@	WSTU-SCEZ-105-PCR*	@	WSTU-SCEZ-105-P
	1-3/8	@	WSTU-SCEZ-106-PCR*	@	WSTU-SCEZ-106-P
	1-7/16	127544	WSTU-SCEZ-107-PCR	@	WSTU-SCEZ-107-P
35 mm	127577	WSTU-SCEZ-35M-PCR	@	WSTU-SCEZ-35M-P	

@ Assembled to order
* 20 piece minimum

FEATURES/BENEFITS PAGE B1-2	SELECTION PAGE B1-5	INTERCHANGE PAGE B1-88	ACCESSORIES PAGE B1-90
--------------------------------	------------------------	---------------------------	---------------------------

SELECTION/DIMENSIONS



E-Z KLEEN Mounted Bearings SCEZ NORMAL DUTY POLYMER HOUSED WIDE SLOT TAKE-UP BEARINGS

Series	Shaft Size	Weight lbs kg	Take-Up Frame No. Ref.	A	B	C**	D	E	F Thd Shaft	G
204	1/2	0.86	WS300	1-5/32	3-13/16	17/32	2	2-1/2	5/8	1/2
	5/8	0.76		29.4	96.8	13.5	50.8	63.5	15.9	12.7
	3/4	0.66								
	20 mm	0.31								
205	7/8	0.92	WS300	1-3/16	3-15/16	17/32	2	2-9/16	5/8	1/2
	15/16	0.82		30.2	100.0	13.5	50.8	65.1	15.9	12.7
	1	0.72								
	25 mm	0.34								
206	1-1/8	1.11	WS308	1-25/64	4-1/2	17/32	2-1/4	2-7/8	3/4	1/2
	1-3/16	1.09		35.3	114.3	13.5	57.2	73.0	19.1	12.7
	1-1/4	1.07								
	30 mm	0.49								
207	1-1/4	1.58	WS308	1-17/32	4-15/16	17/32	2-1/4	3-1/8	3/4	1/2
	1-5/16	1.52		38.9	125.4	13.5	57.2	79.4	19.1	12.7
	1-3/8	1.47								
	1-7/16	1.42								
	35 mm	0.69								

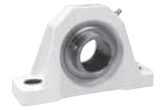
Series	Shaft Size	H	J	K	L	M**	N	R	S	T
204	1/2	5/8	2-3/32	1-9/64	1-1/8	3	3-5/8	27/64	47/64	1 3/8
	5/8	15.9	53.2	29.0	28.6	76.2	92.1	10.7	18.7	35.1
	3/4									
	20 mm									
205	7/8	5/8	2-1/8	1-9/64	1-21/64	3	3-5/8	27/64	49/64	1 3/8
	15/16	15.9	54.0	29.0	33.7	76.2	92.1	10.7	19.4	35.1
	1									
	25 mm									
206	1-1/8	5/8	2-3/8	1-3/8	1-37/64	3-1/2	4-1/4	31/64	29/32	1 5/8
	1-3/16	15.9	60.3	34.9	40.1	88.9	108.0	12.3	23.0	41.1
	1-1/4									
	30 mm									
207	1-1/4	5/8	2-27/64	1-3/8	1-27/32	3-1/2	4-1/4	32/64	1 1/32	1 5/8
	1-5/16	15.9	61.5	34.9	46.8	88.9	108.0	12.7	26.2	41.1
	1-3/8									
	1-7/16									
	35 mm									

** + or - .020"

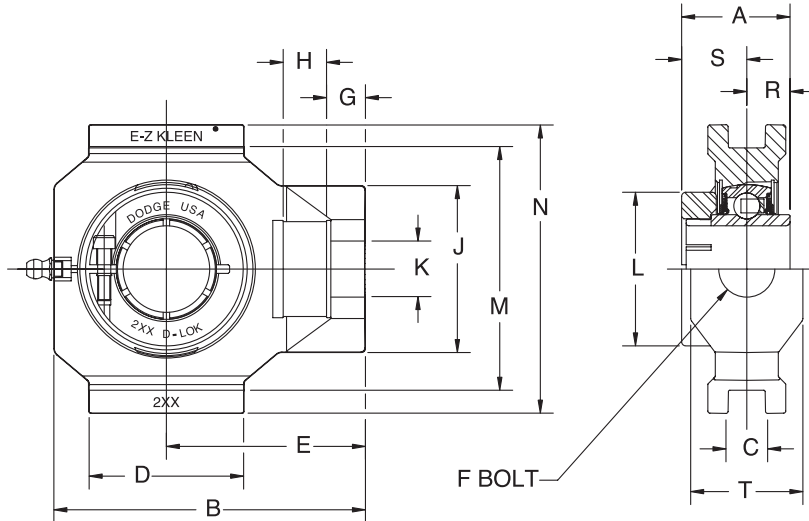
+ or - .50 mm

FEATURES/BENEFITS PAGE B1-2	SELECTION PAGE B1-5	INTERCHANGE PAGE B1-88	ACCESSORIES PAGE B1-90
--------------------------------	------------------------	---------------------------	---------------------------

SELECTIONS/DIMENSIONS



E-Z KLEEN Mounted Bearings DLEZ NORMAL DUTY POLYMER HOUSED WIDE SLOT TAKE-UP BEARINGS

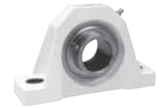


Series	Shaft Size	With Corrosion Resistant Insert		Standard Insert With Flingers	
		Part No.	Description	Part No.	Description
204	3/4	127617	WSTU-DLEZ-012-PCR	@	WSTU-DLEZ-012-P
	20 mm	127652	WSTU-DLEZ-20M-PCR	@	WSTU-DLEZ-20M-P
205	7/8	@	WSTU-DLEZ-014-PCR*	@	WSTU-DLEZ-014-P
	15/16	@	WSTU-DLEZ-015-PCR*	@	WSTU-DLEZ-015-P
	1	127618	WSTU-DLEZ-100-PCR	@	WSTU-DLEZ-100-P
	25 mm	127653	WSTU-DLEZ-25M-PCR	@	WSTU-DLEZ-25M-P
206	1-1/8	@	WSTU-DLEZ-102-PCR*	@	WSTU-DLEZ-102-P
	1-3/16	127619	WSTU-DLEZ-103-PCR	@	WSTU-DLEZ-103-P
	1-1/4	127620	WSTU-DLEZ-104S-PCR	@	WSTU-DLEZ-104S-P
	30 mm	127654	WSTU-DLEZ-30M-PCR	@	WSTU-DLEZ-30M-P
207	1-1/4	127621	WSTU-DLEZ-104-PCR	@	WSTU-DLEZ-104-P
	1-3/8	@	WSTU-DLEZ-106-PCR*	@	WSTU-DLEZ-106-P
	1-7/16	127622	WSTU-DLEZ-107-PCR	@	WSTU-DLEZ-107-P
	35 mm	127655	WSTU-DLEZ-35M-PCR	@	WSTU-DLEZ-35M-P

@ Assembled to order
* 20 piece minimum order

FEATURES/BENEFITS PAGE B1-2	SELECTION PAGE B1-5	INTERCHANGE PAGE B1-88	ACCESSORIES PAGE B1-90
--------------------------------	------------------------	---------------------------	---------------------------

SELECTION/DIMENSIONS



E-Z KLEEN Mounted Bearings DLEZ NORMAL DUTY POLYMER HOUSED WIDE SLOT TAKE-UP BEARINGS

Series	Shaft Size	Weight lbs kg	Take-Up Frame No. Ref.	A	B	C**	D	E	F Thd Shaft	G
204	1/2	0.86	WS300	1-5/32	3-13/16	17/32	2	2-1/2	5/8	1/2
	5/8	0.76		29.4	96.8	13.5	50.8	63.5	15.9	12.7
	3/4	0.66								
	20 mm	0.31								
205	7/8	0.92	WS300	1-3/16	3-15/16	17/32	2	2-9/16	5/8	1/2
	15/16	0.82		30.2	100.0	13.5	50.8	65.1	15.9	12.7
	1	0.72								
	25 mm	0.34								
206	1-1/8	1.11	WS308	1-25/64	4-1/2	17/32	2-1/4	2-7/8	3/4	1/2
	1-3/16	1.09		35.3	114.3	13.5	57.2	73.0	19.1	12.7
	1-1/4	1.07								
	30 mm	0.49								
207	1-1/4	1.58	WS308	1-17/32	4-15/16	17/32	2-1/4	3-1/8	3/4	1/2
	1-5/16	1.52		38.9	125.4	13.5	57.2	79.4	19.1	12.7
	1-3/8	1.47								
	1-7/16	1.42								
35 mm	0.69									

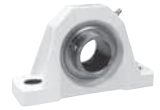
Series	Shaft Size	H	J	K	L	M**	N	R	S	T
204	1/2	5/8	2-3/32	1-9/64	1-1/8	3	3-5/8	27/64	47/64	1 3/8
	5/8									
	3/4									
	20 mm	15.9	53.2	29.0	28.6	76.2	92.1	10.7	18.7	35.1
205	7/8	5/8	2-1/8	1-9/64	1-21/64	3	3-5/8	27/64	49/64	1 3/8
	15/16									
	1									
	25 mm	15.9	54.0	29.0	33.7	76.2	92.1	10.7	19.4	35.1
206	1-1/8	5/8	2-3/8	1-3/8	1-37/64	3-1/2	4-1/4	31/64	29/32	1 5/8
	1-3/16									
	1-1/4									
	30 mm	15.9	60.3	34.9	40.1	88.9	108.0	12.3	23.0	41.1
207	1-1/4	5/8	2-27/64	1-3/8	1-27/32	3-1/2	4-1/4	32/64	1 1/32	1 5/8
	1-5/16									
	1-3/8									
	1-7/16									
35 mm	15.9	61.5	34.9	46.8	88.9	108.0	12.7	26.2	41.1	

** + or - .020"

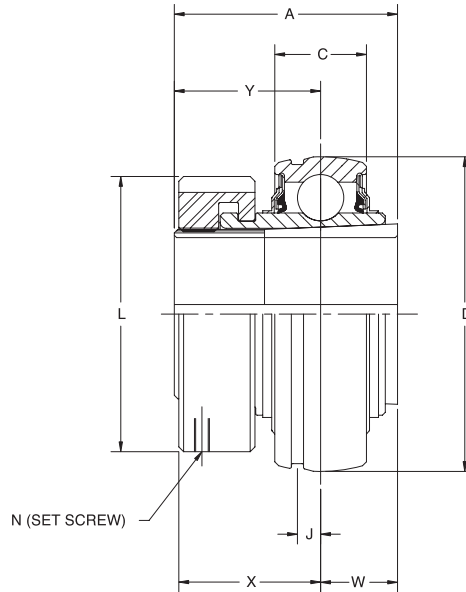
+ or - .50 mm

FEATURES/BENEFITS PAGE B1-2	SELECTION PAGE B1-5	INTERCHANGE PAGE B1-88	ACCESSORIES PAGE B1-90
--------------------------------	------------------------	---------------------------	---------------------------

SELECTIONS/DIMENSIONS



E-Z KLEEN Mounted Bearings GT NORMAL DUTY BEARING INSERTS FOR E-Z KLEEN BEARINGS

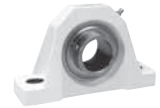


Series	Shaft Size	Complete Unit		Unit Without Adapter		Adapter & Nut Assembly	
		Part No.	Description	Part No.	Description	Part No.	Description
204	3/4 20mm	129825	INS-GT-012-CR	129579	INS-GT-04-CR	129967	AN-GT-04-012-CR
		129826	INS-GT-20M-CR			129980	AN-GT-04-20M-CR
205	1 25mm	129827	INS-GT-100-CR	129580	INS-GT-05-CR	129968	AN-GT-05-100-CR
		129828	INS-GT-25M-CR			129981	AN-GT-05-25M-CR
206	1-1/8 1-3/16 1-1/4 30mm	@	INS-GT-102-CR	129581	INS-GT-06-CR	129969	AN-GT-06-102-CR
		129829	INS-GT-103-CR			129970	AN-GT-06-103-CR
		129830	INS-GT-104S-CR			129971	AN-GT-06-104S-CR
		129831	INS-GT-30M-CR			129982	AN-GT-06-30M-CR
207	1-1/4 1-3/8 1-7/16 35mm	129832	INS-GT-104-CR	129582	INS-GT-07-CR	129972	AN-GT-07-104-CR
		@	INS-GT-106-CR			129973	AN-GT-07-106-CR
		129833	INS-GT-107-CR			129974	AN-GT-07-107-CR
		129834	INS-GT-35M-CR			129983	AN-GT-07-35M-CR
208	1-1/2 40mm	129835	INS-GT-108-CR	129583	INS-GT-08-CR	129975	AN-GT-08-108-CR
		129836	INS-GT-40M-CR			129984	AN-GT-08-40M-CR
209	1-11/16 1-3/4 45mm	129837	INS-GT-111-CR	129584	INS-GT-09-CR	129976	AN-GT-09-111-CR
		@	INS-GT-112-CR			129977	AN-GT-09-112-CR
		129838	INS-GT-45M-CR			129985	AN-GT-09-45M-CR
210	1-15/16 2 50mm	129839	INS-GT-115-CR	129585	INS-GT-10-CR	129978	AN-GT-10-115-CR
		@	INS-GT-200-CR			129979	AN-GT-10-200-CR
		129840	INS-GT-50M-CR			129986	AN-GT-10-50M-CR

@ Assembled to order.

FEATURES/BENEFITS PAGE B1-2	SELECTION PAGE B1-5	INTERCHANGE PAGE B1-88	ACCESSORIES PAGE B1-90
--------------------------------	------------------------	---------------------------	---------------------------

SELECTION/DIMENSIONS



E-Z KLEEN Mounted Bearings

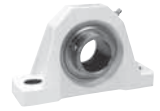
GT NORMAL DUTY BEARING INSERTS FOR E-Z KLEEN BEARINGS

Series	Shaft Size	Weight lbs kg	A	C	D	J	L	N Screw (UNF)	W#	X	Y#
204	3/4	0.6	1-15/32	0.5906	1.8504	0.152	1-1/2	#10-32 x 1/4	31/64	1-3/64	63/64
	20mm	0.3	37.3	15.0	47.0	3.9	38.1		12.3	26.7	25.0
205	7/8	0.8	1-29/64	0.5906	2.0472	0.152	1-51/64	#10-32 x 1/4	1/2	1-1/64	61/64
	15/16 1 25mm	0.4	36.9	15.0	52.0	3.9	45.6		12.8	25.9	24.2
206	1-1/8	1.2	1-39/64	0.7087	2.4409	0.190	2-5/64	#10-32 x 1/4	17/32	1-1/8	1-5/64
	1-3/16 1-1/4 30mm	0.6	40.9	18.0	62.0	4.8	52.8		13.5	28.7	27.4
207	1-1/4	1.8	1-5/8	0.7480	2.8346	0.202	2-3/8	#10-32 x 1/4	9/16	1-9/64	1-1/16
	1-3/8 1-7/16 35mm	0.8	41.3	19.0	72.0	5.1	60.3		14.3	29.1	27.0
208	1-1/2	2.2	1-27/32	0.8661	3.1496	0.224	2-5/8	#10-32 x 1/4	21/32	1-15/64	1-3/16
	40mm	1.0	46.8	22.0	80.0	5.7	66.7		16.7	31.5	30.2
209	1-5/8	2.5	1-55/64	0.8661	3.3465	0.248	2-55/64	#10-32 x 1/4	21/32	1-9/32	1-3/16
	1-11/16 1-3/4 45mm	1.2	47.2	22.0	85.0	6.3	72.6		16.7	32.6	30.2
210	1-15/16	3.0	1-55/64	0.8661	3.5433	0.248	3-1/8	#10-32 x 1/4		1-9/32	
	21/32 2 50mm	1.4	1-13/64	22.0	90.0	6.3	79.4		16.7	32.6	30.6

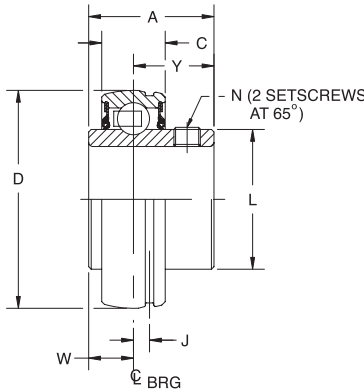
#W & Y dimensions will vary slightly depending on true shaft diameter.

FEATURES/BENEFITS PAGE B1-2	SELECTION PAGE B1-5	INTERCHANGE PAGE B1-88	ACCESSORIES PAGE B1-90
--------------------------------	------------------------	---------------------------	---------------------------

SELECTIONS/DIMENSIONS



E-Z KLEEN Mounted Bearings SC NORMAL DUTY BEARING CORROSION RESISTANT INSERTS FOR E-Z KLEEN BEARINGS



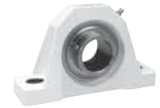
Series	Shaft Size	Insert with Flingers		Corrosion Resistant Insert	
		Part No.	Description	Part No.	Description
204	1/2	@	INS-SC-008L-FF	052981	INS-SC-008L-CR*
	5/8	124932	INS-SC-010L-FF	127073	INS-SC-010L-CR*
	3/4	123070	INS-SC-012-FF	045600	INS-SC-012-CR
	20mm	050524	INS-SC-20M-FF	125873	INS-SC-20M-CR
205	7/8	124931	INS-SC-014-FF	058665	INS-SC-014-CR*
	15/16	123069	INS-SC-015-FF	@	INS-SC-015-CR*
	1	123071	INS-SC-100-FF	045601	INS-SC-100-CR
	25mm	052620	INS-SC-25M-FF	050580	INS-SC-25M-CR
206	1-1/8	123234	INS-SC-102-FF	058989	INS-SC-102-CR*
	1-3/16	123072	INS-SC-103-FF	045602	INS-SC-103-CR
	1-1/4	123073	INS-SC-104S-FF	045603	INS-SC-104S-CR
	30mm	052621	INS-SC-30M-FF	125874	INS-SC-30M-CR
207	1-1/4	123074	INS-SC-104-FF	045412	INS-SC-104-CR
	1-5/16	057102	INS-SC-105-FF	058345	INS-SC-105-CR*
	1-3/8	123460	INS-SC-106-FF	058965	INS-SC-106-CR*
	35mm	123075	INS-SC-107-FF	045604	INS-SC-107-CR
208	1-7/16	052622	INS-SC-35M-FF	050653	INS-SC-35M-CR
	1-1/2	123076	INS-SC-108-FF	045605	INS-SC-108-CR
	1-5/8	123409	INS-SC-110-FF	@	INS-SC-110-CR*
	40mm	052623	INS-SC-40M-FF	050654	INS-SC-40M-CR
209	1-5/8	@	INS-SC-110L-FF	@	INS-SC-110L-CR*
	1-11/16	@	INS-SC-111-FF	125004	INS-SC-111-CR
	1-3/4	045677	INS-SC-112-FF	054145	INS-SC-112-CR*
	45mm	@	INS-SC-45M-FF	125005	INS-SC-45M-CR
210	1-11/16	@	INS-SCM-111-FF	@	INS-SCM-111-CR*
	1-15/16	123077	INS-SC-115-FF	045606	INS-SC-115-CR
	2	123413	INS-SC-200-FF	045338	INS-SC-200-CR*
	50mm	@	INS-SC-50M-FF	050656	INS-SC-50M-CR

@ Assembled to order

* 20 piece minimum

FEATURES/BENEFITS PAGE B1-2	SELECTION PAGE B1-5	INTERCHANGE PAGE B1-88	ACCESSORIES PAGE B1-90
--------------------------------	------------------------	---------------------------	---------------------------

SELECTION/DIMENSIONS

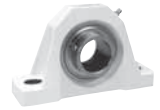


E-Z KLEEN Mounted Bearings SC NORMAL DUTY BEARING CORROSION RESISTANT INSERTS FOR E-Z KLEEN BEARINGS

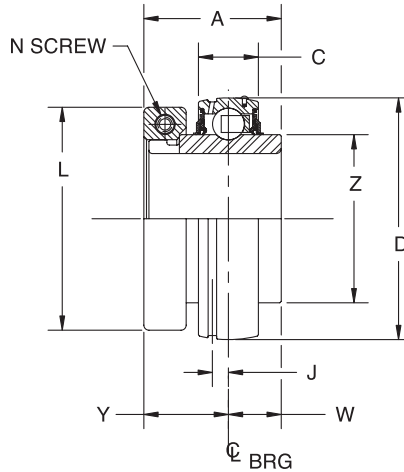
Series	Shaft Size	Weight lbs kg	A	C	D	J	L	N	W	Y
204	1/2	.38	1-5/32	.5906	1.8504	.152	1-1/8	10-32	27/64	47/64
	5/8	.35								
	3/4	.32								
	20mm	.16	29.4	15.0	47.0	3.9	28.6	M6 x 1	10.7	18.7
205	7/8	.43	1-3/16	.5906	2.0472	.152	1-21/64	1/4-28	27/64	49/64
	15/16	.40								
	1	.37								
	25mm	.18	30.2	15.0	52.0	3.9	33.7	M6 x 1	10.7	19.4
206	1-1/8	.63	1-25/64	.7087	2.4409	.190	1-37/64	5/16-24	31/64	29/32
	1-3/16	.60								
	1-1/4	.58								
	30mm	.27	35.3	18.0	62.0	4.8	40.1	M8 x 1.25	12.3	23.0
207	1-1/4	1.02	1-17/32	.7480	2.8346	.202	1-27/32	5/16-24	1/2	1-1/32
	1-5/16	.97								
	1-3/8	.92								
	35mm	.44	38.9	19.0	72.0	5.1	46.8	M8 x 1.25	12.7	26.2
208	1-1/2	1.27	1-11/16	.8661	3.1496	.224	2-3/64	5/16-24	19/32	1-3/32
	1-5/8	1.13								
	40mm	.51	42.9	22.0	80.0	5.7	52.0	M8 x 1.25	15.1	27.8
209	1-5/8	1.49	1-23/32	.8661	3.3465	.248	2-7/32	5/16-24	19/32	1-1/8
	1-11/16	1.43								
	1-3/4	1.36								
	45mm	.62	43.7	22.0	85.0	6.3	56.4	M8 x 1.25	15.1	28.6
210	1-11/16	1.82	1-3/4	.8661	3.5433	.248	2-7/16	3/8-24	19/32	1-5/32
	1-15/16	1.48								
	2	1.39								
	50mm	.67	44.5	22.0	90.0	6.3	61.9	M10 x 1.5	15.1	29.4

FEATURES/BENEFITS PAGE B1-2	SELECTION PAGE B1-5	INTERCHANGE PAGE B1-88	ACCESSORIES PAGE B1-90
--------------------------------	------------------------	---------------------------	---------------------------

SELECTIONS/DIMENSIONS



E-Z KLEEN Mounted Bearings DL NORMAL DUTY BEARING CORROSION RESISTANT INSERTS FOR E-Z KLEEN BEARINGS



Series	Shaft Size	Insert with Flingers		Corrosion Resistant Insert	
		Part No.	Description	Part No.	Description
204	3/4	128646	INS-DL-012	126685	INS-DL-012-CR
	20mm	126629	INS-DL-20M	126693	INS-DL-20M-CR
205	7/8	128684	INS-DL-014	@	INS-DL-014-CR*
	15/16	128647	INS-DL-015	@	INS-DL-015-CR*
	1	128648	INS-DL-100	126686	INS-DL-100-CR
	25mm	126630	INS-DL-25M	126694	INS-DL-25M-CR
206	1-1/8	128649	INS-DL-102	059869	INS-DL-102-CR*
	1-3/16	128650	INS-DL-103	126687	INS-DL-103-CR
	1-1/4	128651	INS-DL-104S	126688	INS-DL-104S-CR
	30mm	126631	INS-DL-30M	126695	INS-DL-30M-CR
207	1-1/4	128652	INS-DL-104	126689	INS-DL-104-CR
	1-3/8	128653	INS-DL-106	@	INS-DL-106-CR*
	1-7/16	128654	INS-DL-107	052093	INS-DL-107-CR
	35mm	126632	INS-DL-35M	126696	INS-DL-35M-CR
208	1-1/2	128655	INS-DL-108	126690	INS-DL-108-CR
	40mm	126633	INS-DL-40M	126697	INS-DL-40M-CR
209	1-5/8	128656	INS-DL-110L	@	INS-DL-110L-CR*
	1-11/16	128657	INS-DL-111	126691	INS-DL-111-CR
	1-3/4	128658	INS-DL-112	@	INS-DL-112-CR*
210	45mm	126634	INS-DL-45M	126698	INS-DL-45M-CR
	1-11/16	128672	INS-DLM-111	@	INS-DLM-111-CR
	1-15/16	128659	INS-DL-115	126692	INS-DL-115-CR
	2	128660	INS-DL-200	053986	INS-DL-200-CR*
50mm	126635	INS-DL-50M	126699	INS-DL-50M-CR	

@ Assembled to order

* 20 piece minimum

FEATURES/BENEFITS PAGE B1-2	SELECTION PAGE B1-5	INTERCHANGE PAGE B1-88	ACCESSORIES PAGE B1-90
--------------------------------	------------------------	---------------------------	---------------------------

SELECTION/DIMENSIONS



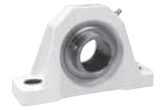
E-Z KLEEN Mounted Bearings

DL NORMAL DUTY BEARING CORROSION RESISTANT INSERTS FOR E-Z KLEEN BEARINGS

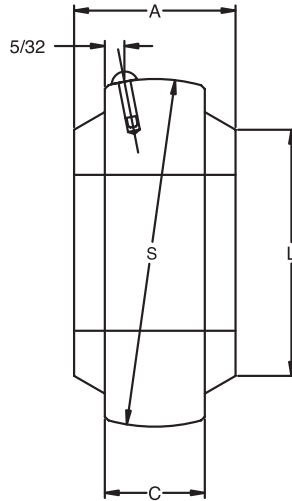
Series	Shaft Size	Weight lbs kg	A	C	D	J	L	N	W	Y	Z
204	3/4	0.6	1-9/32	0.5906	1.8504	0.152	1-45/64	No. 8	1/2	25/32	1-1/8
	20mm	0.3	32.5	15.0	47.0	3.9	43.3	M4	12.7	19.8	28.6
205	7/8	0.8	1-7/16	0.5906	2.0472	0.152	2	No. 10	9/16	7/8	1-21/64
	15/16	0.8									
	1	0.8									
	25mm	0.4	36.5	15.0	52.0	3.9	50.8	M5	14.3	22.2	33.7
206	1-1/8	1.2	1-9/16	0.7087	2.4409	0.190	2-7/32	No. 10	5/8	15/16	1-37/64
	1-3/16	1.2									
	1-1/4	1.1									
	30mm	0.6	39.7	18.0	62.0	4.8	56.4	M5	15.9	23.8	40.1
207	1-1/4	1.8	1-3/4	0.7480	2.8346	0.202	2-11/16	1/4	11/16	1-1/16	1-27/32
	1-3/8	1.8									
	1-7/16	1.7									
	35mm	0.8	44.5	19.0	72.0	5.1	68.3	M6	17.5	27.0	46.8
208	1-1/2	2.2	2	0.8661	3.1496	0.224	2-47/64	1/4	3/4	1-1/4	2-3/64
	40mm	1.0	50.8	22.0	80.0	5.7	69.5	M6	19.1	31.8	52.0
209	1-5/8	2.5	2	0.8661	3.3465	0.248	2-63/64	1/4	3/4	1-1/4	2-7/32
	1-11/16	2.5									
	1-3/4	2.5									
	45mm	1.2	50.8	22.2	85.8	6.4	75.8	M6	19.1	31.8	56.9
210	1-11/16	3.0	2-3/32	0.8661	3.5433	0.248	3-15/64	1/4	3/4	1-11/32	2-7/16
	1-15/16	3.0									
	2	3.0									
	50mm	1.4	53.2	22.0	90.0	6.3	82.1	M6	19.1	34.1	61.9

FEATURES/BENEFITS PAGE B1-2	SELECTION PAGE B1-5	INTERCHANGE PAGE B1-88	ACCESSORIES PAGE B1-90
--------------------------------	------------------------	---------------------------	---------------------------

SELECTIONS/DIMENSIONS



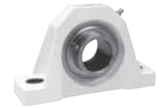
E-Z KLEEN Mounted Bearings PSEZ POLYMER SLEEVE BEARING INSERTS



Series	Shaft Size	Part No.	Description
204	3/4	032867	INS-PS-012
	20mm	032868	INS-PS-20M
205	1	032872	INS-PS-100
	25mm	032871	INS-PS-25M
206	1-3/16	032875	INS-PS-103
	1-1/4	032876	INS-PS-104S
	30mm	032874	INS-PS-30M
207	1-1/4	032877	INS-PS-104
	1-7/16	032879	INS-PS-107
	35mm	032878	INS-PS-35M
208	1-1/2	032881	INS-PS-108
	40mm	032882	INS-PS-40M
210	1-15/16	032886	INS-PS-115
	50mm	032887	INS-PS-50M

FEATURES/BENEFITS PAGE B1-2	SELECTION PAGE B1-5	INTERCHANGE PAGE B1-88	ACCESSORIES PAGE B1-90
--------------------------------	------------------------	---------------------------	---------------------------

SELECTION/DIMENSIONS



E-Z KLEEN Mounted Bearings PSEZ POLYMER SLEEVE BEARING INSERTS

Bearing Quick Reference

E-Z KLEEN

GRIP TIGHT Adapter Ball Bearing

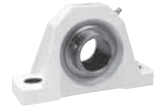
Set Screw Ball Bearing

Eccentric Collar Ball Bearing

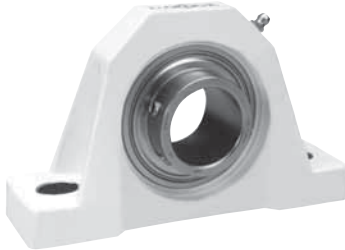
Series	Shaft Size	Weight lbs kg	A	C	L	S
204	3/4 20mm	0.25 0.14	1 25.4	11/16 17.5	1-5/16 33.3	1.8465/1.8395 46.9011/46.7233
205	1 25mm	0.25 0.15	1-1/16 27	11/16 17.5	1-7/16 36.5	2.0435/2.0365 51.9049/51.7271
206	1-3/16 1-1/4 30mm	0.36 0.35 0.16	1-3/16 30.2	13/16 20.6	1-11/16 42.9	2.437/2.428 61.8988/61.6712
207	1-1/4 1-7/16 35mm	0.40 0.35 0.18	1-5/16 33.3	13/16 20.6	2 50.8	2.829/2.820 71.8566/71.6280
208	1-1/2 40mm	0.46 0.21	1-1/2 38.1	7/8 22.2	2 50.8	3.144/3.135 79.8576/79.6790
210	1-15/16 50mm	0.50 0.23	1-5/8 41.3	15/16 23.8	2-9/16 65.1	3.5375/3.5275 89.8525/89.5985

FEATURES/BENEFITS PAGE B1-2	SELECTION PAGE B1-5	INTERCHANGE PAGE B1-88	ACCESSORIES PAGE B1-90
--------------------------------	------------------------	---------------------------	---------------------------

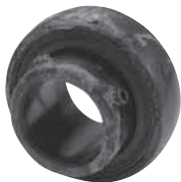
INTERCHANGE



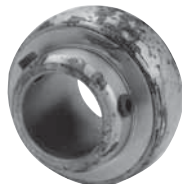
E-Z KLEEN Competitive Comparison



Manufacturer	Brand Name	Housing Material	Insert Material	Example 1" Pillow Block Description	Pillow Block
Dodge	E-Z KLEEN	Polymer/Composite	Nickel teflon CR Setscrew	P2B-SCEZ-100-PCR	P2B
	E-Z KLEEN	300 Series Stainless Steel	Nickel teflon CR Setscrew	P2B-SCEZ-100-SHCR	P2B
	E-Z KLEEN	Polymer/Composite	Nickel teflon CR D-Lok	P2B-DLEZ-100-PCR	P2B
	E-Z KLEEN	300 Series Stainless Steel	Nickel teflon CR D-Lok	P2B-DLEZ-100-SHCR	P2B
AMI	Corrosion Protection	Polymer/Composite	Zinc	UCPPL205-16MZZ	UCPPL
	Corrosion Protection	Polymer/Composite	400 Series Stainless	MUCPPL205-16	MUCPPL
	Corrosion Protection	300 Series Stainless Steel	400 Series Stainless	MUCP-16	MUCP
Browning	CRES CZ	Polymer/Composite	Zinc Plated	CPS-Z216	CPS
	CRES CS	Polymer/Composite	400 Series Stainless	CPS-S216	CPS-S
	CRES SS	300 Series Stainless Steel	400 Series Stainless	SPS-S216	SPS-S
Fafnir	Survivor	Polymer/Composite	TDC	YAS1PT	YAS
IPTCI	Corrosion Resistant	Polymer/Composite	Black Oxide	BUCTP 205-16	BUCTP
	Corrosion Resistant	Polymer/Composite	400 Series Stainless	SUCTP 205-16	SUCTP
	Corrosion Resistant	300 Series Stainless Steel	400 Series Stainless	SUCSP 205-16	SUCSP
Linkbelt	Klean-Gard	Polymer/Composite	Black Oxide	KP-S216	KP-S
	Klean-Gard	Polymer/Composite	400 Series Stainless	KPS-S216	KPS-S
MRC	Z-MaRC	Polymer/Composite	Zinc	CPB100ZM	CPB
	Marathon	Polymer/Composite	400 Series Stainless	CPB100SS	CPB
Sealmaster	PN Gold	Polymer/Composite	Phosphate Nickel	CRPC-PN16	CRPC
	CR Gold	300 Series Stainless Steel	Black Oxide	NP-16C CR	NP
	Bev Gold	300 Series Stainless Steel	TDC	CRPS-16	CRPS



Block Oxide Coated Insert After Accelerated Corrosion Resistant Test



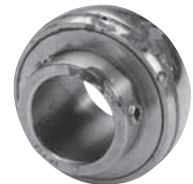
Thin Dense Chrome (TDC) Insert After Accelerated Corrosion Resistant Test



DODGE CR Insert After Accelerated Corrosion Resistant Test



Zinc Plated Insert After Accelerated Corrosion Resistant Test



400 Series Stainless Insert After Accelerated Corrosion Resistant Test

FEATURES/BENEFITS PAGE B1-2	SELECTION PAGE B1-5	DIMENSIONS PAGE B1-14	ACCESSORIES PAGE B1-90
--------------------------------	------------------------	--------------------------	---------------------------

INTERCHANGE

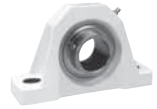


E-Z KLEEN Competitive Comparison

Manufacturer	Brand Name	Two Bolt Flange	Four Bolt Flange	Tapped Based	Flange Bracket	Wide Slot Take up
Dodge	E-Z KLEEN	F2B	F4B	TB	FC	WSTU
	E-Z KLEEN	F2B	F4B	n/a	n/a	n/a
	E-Z KLEEN	F2B	F4B	TB	FC	WSTU
	E-Z KLEEN	F2B	F4B	n/a	n/a	n/a
AMI	Corrosion Protection	UCNFL	UCFPL	UCTBL	UCFBL	UCTPL
	Corrosion Protection	MUCNFL	MUCFPL	MUCTBL	MUCFBL	MUCTPL
	Corrosion Protection	MUCFL	MUCF	n/a	n/a	n/a
Browning	CRES CZ	CF2S	CF4S	CTBS	n/a	n/a
	CRES CS	CF2S-S	CF4S-S	n/a	n/a	n/a
	CRES SS	SF2S-S	SF4S-S	n/a	n/a	n/a
Fafnir	Survivor	YCJT	YCJ	n/a	n/a	n/a
IPTCI	Corrosion Resistant	BUCTFL	BUCTF	BUCTPA	BUCTFB	BUCTTRS
	Corrosion Resistant	SUCTFL	SUCTF	SUCTPA	SUCTFB	SUCTTRS
	Corrosion Resistant	SUCSFL	SUCSF	SUCSPA	SUCSFB	n/a
Linkbelt	Klean-Gard	KFX-S	KF-S	n/a	n/a	n/a
	Klean-Gard	KFXS-S	KFS-S	n/a	n/a	n/a
MRC	Z-MaRC	C2F	C4F	CTB	CBF	CTW
	Marathon	C2F	C4F	CTB	CBF	CTW
Sealmaster	PN Gold	CRFTC	CRFC	n/a	n/a	n/a
	CR Gold	SFT	SF	n/a	FB	n/a
	Bev Gold	CRFTS	CRFS	n/a	CRFBS	n/a

FEATURES/BENEFITS PAGE B1-2	SELECTION PAGE B1-5	DIMENSIONS PAGE B1-14	ACCESSORIES PAGE B1-90
--------------------------------	------------------------	--------------------------	---------------------------

ACCESSORIES



E-Z KLEEN Polymer and Stainless Steel Housed Mounted Bearings END CLOSURES

Series	For Shaft Size	Closed End Closure		Open End Closure	
		Part Number	Description	Part Number	Description
204	3/4	128960	ECC-EZ-204	128974	ECO-EZ-012
	20mm			128991	ECO-EZ-20M
205	1	128961	ECC-EZ-205	128975	ECO-EZ-100
	25mm			128992	ECO-EZ-25M
206	1-3/16	128962	ECC-EZ-206	128976	ECO-EZ-103
	1-1/4			128989	ECO-EZ-104S
	30mm			128993	ECO-EZ-30M
207	1-1/4	128963	ECC-EZ-207	128977	ECO-EZ-104
	1-7/16			128990	ECO-EZ-107
	35mm			128994	ECO-EZ-35M
208	1-1/2	128964	ECC-EZ-208	128978	ECO-EZ-108
	40mm			128996	ECO-EZ-40M
209	1-11/16	128965	ECC-EZ-209	@	ECO-EZ-111
	45mm			@	ECO-EZ-45M
210	1-15/16	128966	ECC-EZ-210	128980	ECO-EZ-115
	2 50mm			128997	ECO-EZ-50M

@ Made to order

FEATURES/BENEFITS
PAGE B1-2

SELECTION
PAGE B1-5

DIMENSIONS
PAGE B1-14

INTERCHANGE
PAGE B1-88

ACCESSORIES



E-Z KLEEN Polymer and Stainless Steel Housed Mounted Bearings END CLOSURES

Series	For Shaft Size	Weight lbs (kg)	A	B	L		W
					ECC-	ECO-	
204	3/4	0.18	1-57/64	1-3/8	1-1/8	1-3/16	17/32
	20mm	0.005	48.01	35.05	28.58	30.16	13.49
205	1	0.22	2-11/64	1-39/64	1-3/16	1-1/4	17/32
	25mm	0.006	55.12	40.89	30.16	31.75	13.49
206	1-3/16	0.33	2-1/2	1-31/32	1-11/32	1-25/64	9/16
	1-1/4 30mm	0.009	63.50	50.04	33.73	35.32	14.29
207	1-1/4	0.44	2-29/32	2-5/16	1-15/32	1-17/32	11/16
	1-7/16 35mm	0.012	73.91	58.93	37.31	38.89	17.46
208	1-1/2	0.62	3-5/16	2-49/64	1-17/32	1-19/32	11/16
	40mm	0.017	84.07	70.10	38.89	40.48	17.46
209	1-11/16	0.76	3-1/2	2-7/8	1-5/8	1-21/32	23/32
	45mm	0.021	88.90	72.90	40.48	42.07	18.26
210	1-15/16 2	0.80	3-5/8	3	1-21/32	1-23/32	29/32
	50mm	0.022	92.08	76.20	42.07	43.66	23.02

Series	For Shaft Size	ECC- add on dimension			ECO- add on dimension		
		P2B & TB	2B, 4B, & FB	Take-Up	P2B & TB	2B, 4B, & FB	Take-Up
204	3/4	45/64	1-1/16	49/64	49/64	1-1/8	53/64
	20mm	17.86	26.99	19.45	19.45	28.58	21.03
205	1	47/64	1-3/32	51/64	51/64	1-5/32	55/64
	25mm	18.65	27.78	20.24	20.24	29.37	21.83
206	1-3/16	25/32	1-1/4	7/8	27/32	1-5/16	15/16
	1-1/4 30mm	19.84	31.75	22.23	21.43	33.34	23.81
207	1-1/4	29/32	1-3/8	1-1/32	31/32	1-7/16	1-3/32
	1-7/16 35mm	23.02	34.93	26.19	24.61	36.51	27.78
208	1-1/2	59/64	1-29/64	----	63/64	1-33/64	----
	40mm	23.42	36.91	----	25.00	38.50	----
209	1-11/16	15/16	1-1/2	----	1	1-9/16	----
	45mm	23.81	38.10	----	25.40	39.69	----
210	1-15/16 2	29/32	1-37/64	----	31/32	1-41/64	----
	50mm	23.02	40.08	----	24.61	41.67	----

FEATURES/BENEFITS PAGE B1-2	SELECTION PAGE B1-5	DIMENSIONS PAGE B1-14	INTERCHANGE PAGE B1-88
--------------------------------	------------------------	--------------------------	---------------------------

Bearing Quick Reference

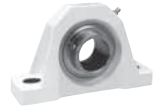
E-Z KLEEN

GRIP TIGHT Adapter Ball Bearing

Set Screw Ball Bearing

Eccentric Collar Ball Bearing

ACCESSORIES



Polymer Housed Units SOLID STEEL SHAFT COLLARS

Shaft Size	Part Number*		Dimensions			
	Steel	Stainless	OD	Width	Screw	Weight
1/8	-	456225	0.36	0.25	#6	0.01
3/16	040001	456226	0.44	0.25	#8	0.01
1/4	040002	456227	0.50	0.28	#10	0.01
5/16	040003	456228	0.63	0.34	1/4	0.01
3/8	040004	456229	0.75	0.38	1/4	0.01
7/16	040005	-	0.88	0.44	1/4	0.05
1/2	040006	456230	1.00	0.44	1/4	0.1
9/16	040007	-	1.00	0.44	184	0.1
5/8	040008	456231	1.13	0.50	5/16	0.1
11/16	040009	-	1.25	0.56	5/16	0.1
3/4	040010	456232	1.25	0.56	5/16	0.1
13/16	040011	-	1.31	0.56	5/16	0.1
7/8	040012	456234	1.50	0.56	5/16	0.2
15/16	040013	-	1.63	0.56	5/16	0.2
1	040014	456234	1.63	0.63	5/16	0.2
1-1/16	040015	-	1.75	0.63	5/16	0.2
1-1/8	040016	456235	1.75	0.63	5/16	0.2
1-3/16	040017	-	2.00	0.69	3/8	0.4
1-1/4	040018	456236	2.00	0.69	3/8	0.4
1-5/16	040019	-	2.13	0.69	3/8	0.4
1-3/8	040020	-	2.13	0.75	3/8	0.4
1-7/16	040021	456237	2.25	0.75	3/8	0.5
1-1/2	040022	-	2.25	0.75	3/8	0.5
1-9/16	040023	-	2.50	0.81	3/8	0.7
1-5/8	040024	-	2.50	0.81	3/8	0.6
1-11/16	040025	-	2.50	0.81	3/8	0.6
1-3/4	040026	456238	2.75	0.88	1/2	0.8
1-7/8	040027	-	2.75	0.88	1/2	0.8
1-15/16	040028	-	3.00	0.88	1/2	1.0
2	040029	456239	3.00	0.88	1/2	1.0
2-3/16	040030	-	3.25	0.94	1/2	1.2
2-1/4	040031	-	3.25	0.94	1/2	1.2
2-7/16	040032	-	3.50	1.00	1/2	1.4
2-1/2	040033	-	3.50	1.00	1/2	1.3
2-15/16	040034	-	4.25	1.13	1/2	2.2

* Material Steel is mild carbon steel
Stainless is 300-series stainless
All sizes are fitted with one setscrew

FEATURES/BENEFITS PAGE B1-2	SELECTION PAGE B1-5	DIMENSIONS PAGE B1-14	INTERCHANGE PAGE B1-88
--------------------------------	------------------------	--------------------------	---------------------------