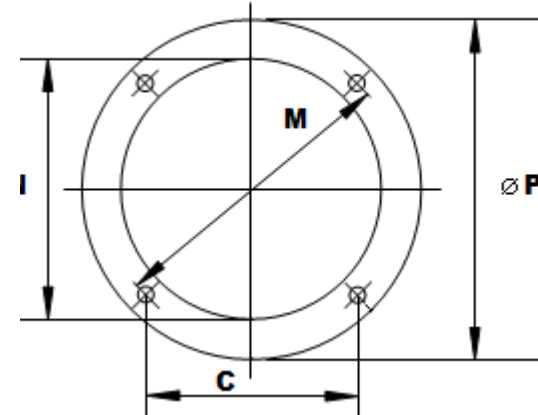


ALL TORQUE
INDUSTRIAL POWER TRANSMISSION SOLUTIONS



www.alltorque.com.au

METRIC ELECTRIC MOTOR FLANGE DIMENSIONS

FRAME SIZE	B5				B14A				B14B				SHAFT DIA	FOOT MOUNT CENTER HIGHT
	M	N	P	C	M	N	P	C	M	N	P	C		
56	100	80	120	70.711	65	50	80	45.963	Nil	Nil	Nil	Nil	9	56
63	115	95	140	81.318	75	60	90	53.033	100	80	120	70.711	11	63
71	130	110	160	91.924	85	70	105	60.104	115	95	140	81.318	14	71
80	165	130	200	116.673	100	80	120	70.711	130	110	160	91.924	19	80
90	165	130	200	116.673	115	95	140	81.318	130	110	160	91.924	24	90
100	215	180	250	152.03	130	110	160	91.924	165	130	200	116.673	28	100
112	215	180	250	152.03	130	110	160	91.924	165	130	200	116.673	28	112
132	265	230	300	187.384	165	130	200	116.673	215	180	250	152.03	38	132
160	300	250	350	212.133									42	160
180	300	250	350	212.133									48	180
200	350	300	400	247.488									55	200
225	400	350	450	282.844									60	225
250	500	450	550	353.55									65	250