

INSTALLATION INSTRUCTIONS

RUN-STOP-JOG SWITCH Part No. 9340A

for Model KBPC-240D, KBAC-24D, and KBAC-27D



SAFETY WARNING! Please read carefully before proceeding.

This product should be installed and serviced by a qualified technician, electrician, or electrical maintenance person familiar with its operation and the hazards involved. Proper installation, which includes wiring, mounting in proper enclosure, fusing or other overcurrent protection, and grounding can reduce the chance of electrical shocks, fires, or explosion in this product or products used with this product, such as electric motors, switches, coils, solenoids, and/or relays. Eye protection must be worn and insulated adjustment tools must be used when working with control under power. This product is constructed of materials (plastics, metals, carbon, silicon, etc.) which may be a potential hazard. Proper shielding, grounding and filtering of this product can reduce the emission of radio frequency interference (RFI) which may adversely affect sensitive electronic equipment. If further information is required on this product, contact the Sales Department.

This control contains electronic Start/Stop circuits that can be used to start and stop the control. However, these circuits are never to be used as safety disconnects since they are not fail-safe. Use only the AC line for this purpose.

Be sure to follow all instructions carefully. Fire and/or electrocution can result due to improper use of this product.

It is the responsibility of the equipment manufacturer and individual installer to supply this Safety Warning to the ultimate end user of this product.

DESCRIPTION

The Run-Stop-Jog Switch provides a momentary jog speed which can be used to index a machine into position. The switch contains three (3) positions:

1. "Run" – The switch is placed in this position when the control output is to be set using the Main Speed Potentiometer.
2. "Jog" – Used to provide a low speed output. This position is spring loaded so the switch must be held. The jog speed can be changed using the JOG trimpot located on the PC board.
3. "Stop" – Used as a resting position when the Jog function is used. The motor will stop when in this position.

MOUNTING



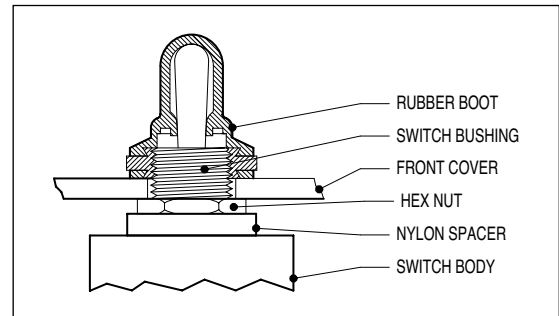
WARNING! Make sure that the AC line is disconnected before installing the Auto/Manual Switch assembly.

1. KBPC-240D – Remove the Rubber hole plug in the Run-Stop-Jog position by unscrewing the retainer nut on the inside cover.
KBAC-24D and KBAC-27D – Remove the rubber hole plug from any available position by unscrewing the retainer nut on the inside cover.
2. Install the Run-Stop-Jog Switch assembly into the front cover making sure the key in the hole lines up with the keyway in the switch bushing. Be sure the hex nut supplied is installed at the base of the switch bushing before inserting switch into the KBPC cover.

KBAC-27D Note: Use the Run-Stop-Jog label that is provided, to cover the text around the hole.

3. Install the rubber switch boot with integral hex nut over switch lever. Switch should be in the stop position to facilitate installation. Also, the switch bushing threads should protrude no more than 1/4" (6.4 mm) or no less than 1/10" (2.6 mm) through the front cover for proper installation. Tighten the switch boot so that the bottom seals against the cover label. Do not over tighten.

FIGURE 1 – MOUNTING



WIRING

1. Using long nose pliers, carefully remove the orange Main Speed Potentiometer wire from the "P2" terminal on the PC board. (Rock terminal back and forth to facilitate removal.) Install this orange potentiometer wire onto the vacant terminal on the Run-Stop-Jog switch.
2. Install the gray wire from the Run-Stop-Jog switch onto the "P2" terminal on the PC board.
3. Install the green wire from the Run-Stop-Jog switch onto the "Jog" terminal on the PC board.

PENTA  POWER TM

A COMPLETE LINE OF MOTOR DRIVES

INSTALLATION INSTRUCTIONS

RUN-STOP-JOG SWITCH Part No. 9340A

for Model KBPC-240D, KBAC-24D, and KBAC-27D

FIGURE 2A
MODEL: KBPC-240D
RUN-STOP-JOG SWITCH
CONNECTION DIAGRAM

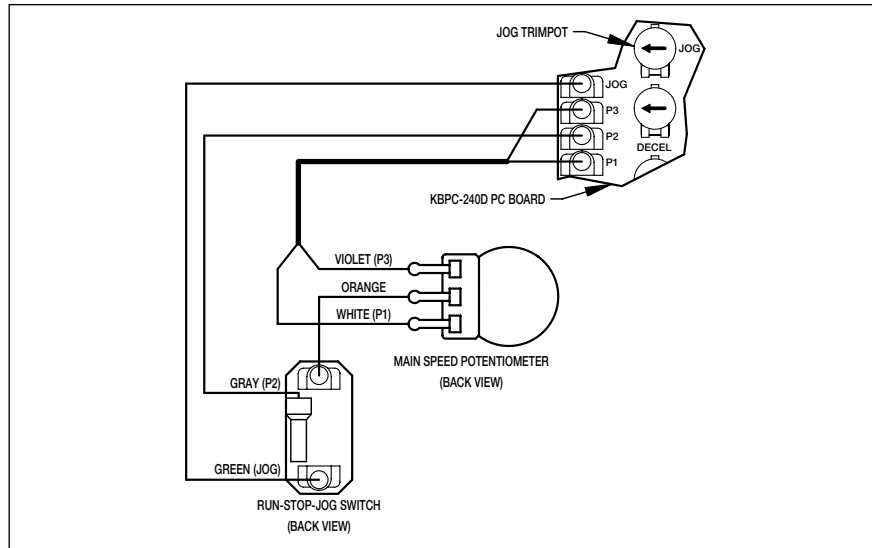


FIGURE 2B
MODEL: KBAC-24D
RUN-STOP-JOG SWITCH
CONNECTION DIAGRAM

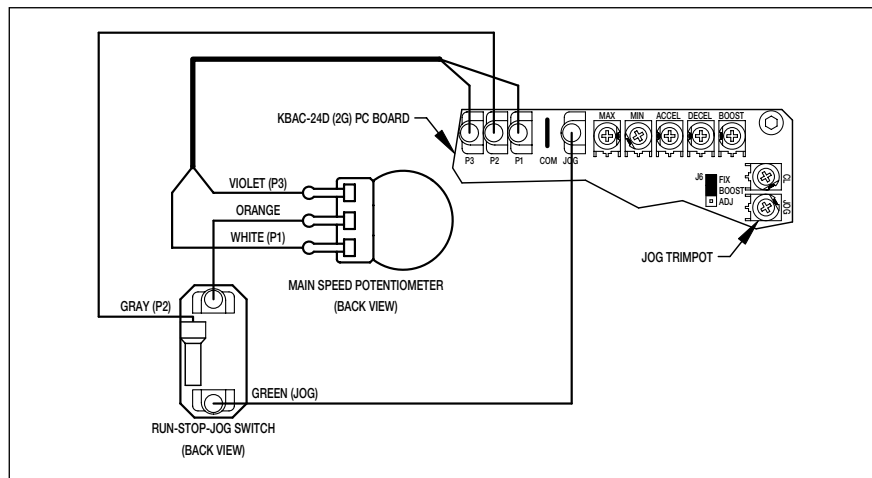
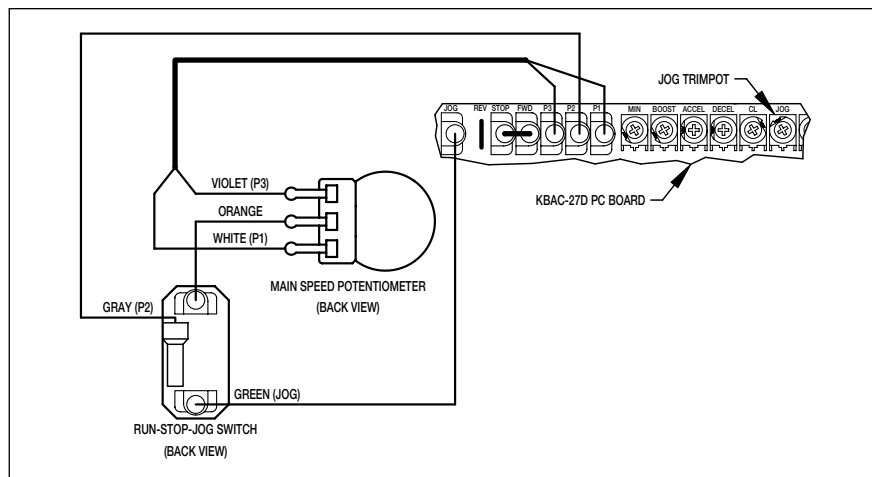


FIGURE 2C
MODEL: KBAC-27D
RUN-STOP-JOG SWITCH
CONNECTION DIAGRAM



KB ELECTRONICS, INC.

12095 NW 39th Street, Coral Springs, FL 33065-2516 • (954) 346-4900 • Fax (954) 346-3377

Outside Florida Call **Toll Free** (800) 221-6570 • **E-mail** – info@kbelectronics.com

www.kbelectronics.com