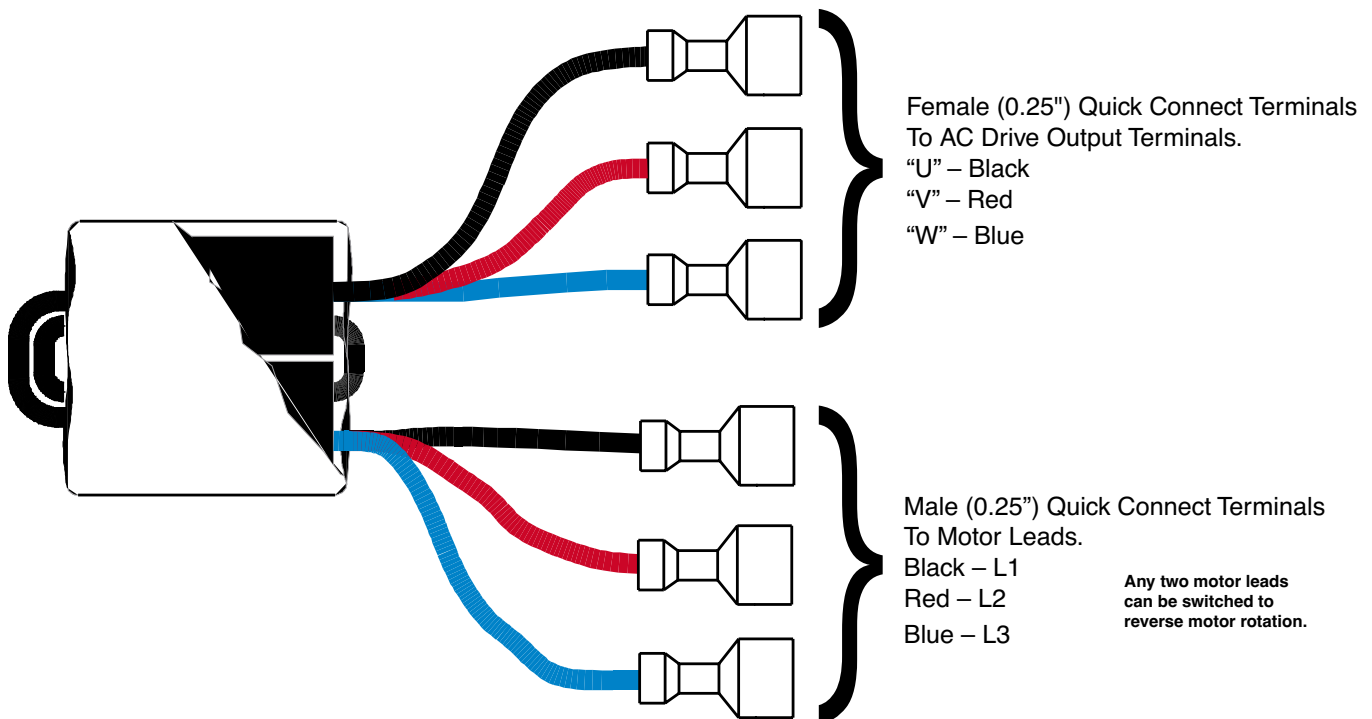


# RFI/EMI 3 PHASE AC MOTOR CHOKE (SC-9992) WIRING INSTRUCTIONS



## SAFETY WARNING! — PLEASE READ CAREFULLY

This product should be installed and serviced by a qualified technician, electrician or electrical maintenance person familiar with its operation and the hazards involved. Do not connect this product while power is applied. This product is constructed of materials (plastics, metals, carbon, silicon, etc.) which may be a potential hazard. If information is required on this product, contact our factory. It is the responsibility of the equipment manufacturer and individual installer to supply this safety warning to the ultimate user of this product. Fire and/or electrocution can result due to improper use of this product. (SW effective 5/96)



### ELECTRICAL SPECIFICATIONS

Maximum Voltage Rating: (Volts AC/DC): **300V**

Maximum Current Rating: (Amps AC/DC): **14 Amps**

Frequency Attenuation: **30db from 10mHz to 200mHz**

**NOTE: This product is intended as a suggestive aid to help reduce EMI & RFI emissions. By offering this product, KB Electronics, Inc. does not assume liability for entire system conformity. This is the responsibility of the end user.**



**KB ELECTRONICS, INC.**

12095 NW 39th Street, Coral Springs, FL 33065-2516 • (954) 346-4900 • (954) 346-3377

Outside Florida Call **TOLL FREE** (800) 221-6570 • E-mail – [info@kbelectronics.com](mailto:info@kbelectronics.com)

[www.kbelectronics.com](http://www.kbelectronics.com)